

PARTS LIST			
ITEM	QTY	PART NUMBER	STOCK NUMBER
1	1	101-01-00	45,000 mm x 45,000 mm x 1000,000 mm
2	1	101-01-01	45,000 mm x 45,000 mm x 1000,000 mm
5	1	101-02-01	45,000 mm x 195,000 mm x 960,000 mm
6	1	101-02-02	45,000 mm x 95,000 mm x 952,500 mm
7	1	101-02-03	45,000 mm x 95,000 mm x 952,500 mm
3	1	101-01-10	45,000 mm x 45,000 mm x 1000,000 mm
4	1	101-01-11	45,000 mm x 45,000 mm x 1000,000 mm
8	1	101-03-01	45,000 mm x 195,000 mm x 960,000 mm
9	1	101-03-02	45,000 mm x 95,000 mm x 952,500 mm
10	1	101-03-03	45,000 mm x 95,000 mm x 952,500 mm
11	1	101-04-01	45,000 mm x 195,000 mm x 2060,000 mm
12	1	101-05-01	45,000 mm x 195,000 mm x 2060,000 mm
13	1	101-05-02	45,000 mm x 95,000 mm x 2060,000 mm
14	1	101-05-03	45,000 mm x 95,000 mm x 2060,000 mm
15	2	101-06-01	11,000 mm x 311,000 mm x 900,000 mm
16	1	101-06-02	11,000 mm x 311,000 mm x 2000,000 mm
17	31	101-07-01	27,000 mm x 220,000 mm
18	2	101-08-01	21,000 mm x 43,000 mm x 2000,000 mm
19	4	101-08-02	RIB MOUNT PIN
22	1	120-25-01	RIBS ASSEMBLY
24	18	155-10-10	COUNTERSUNK ROTODRILL SCREW 6.0 x 50
23	1	120-25-02	MATRESS
21	1	102-01-01	SAFEGUARD ASSEMBLY (OPTIONAL)

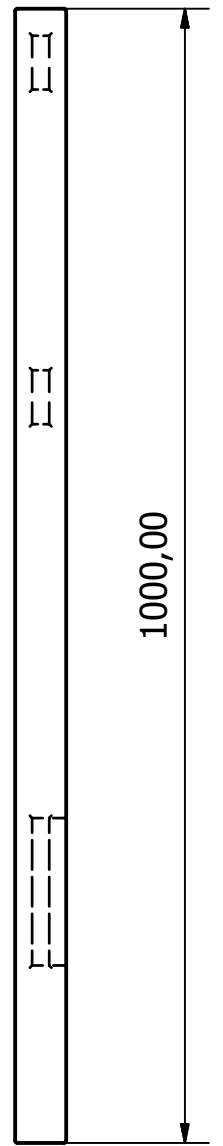
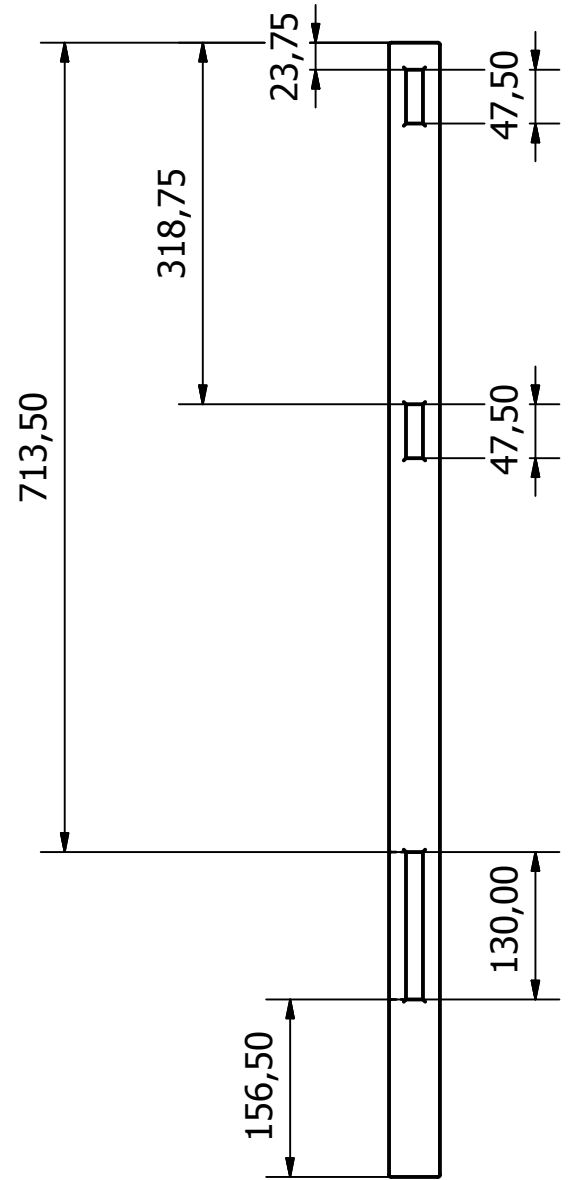
ESTIMATED MATERIAL COST			
STOCK	LENGTH	PRICE	COMMENT
45 x 45	4000	25,00	
45 x 95	7930	86,80	
45 x 195	6040	193,00	
11 x 311	3800	113,00	OSB 11 x 2440 x 1197 mm
27 dia.	6820	122,40	
21 x 43	4000	71,80	
TOTAL	32590	612,00	

Designed by Jiisuki Audio Lab	Checked by	Approved by	Date	Date 2012-09-01
Bed Assembly			Edition	Sheet 1 / 26

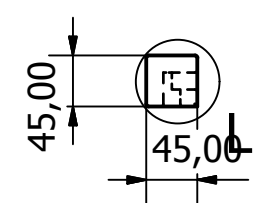
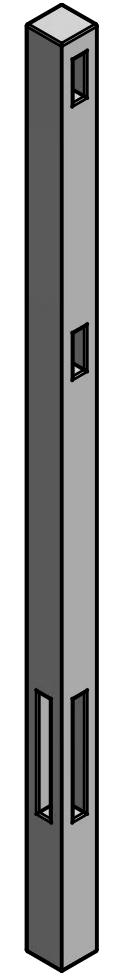
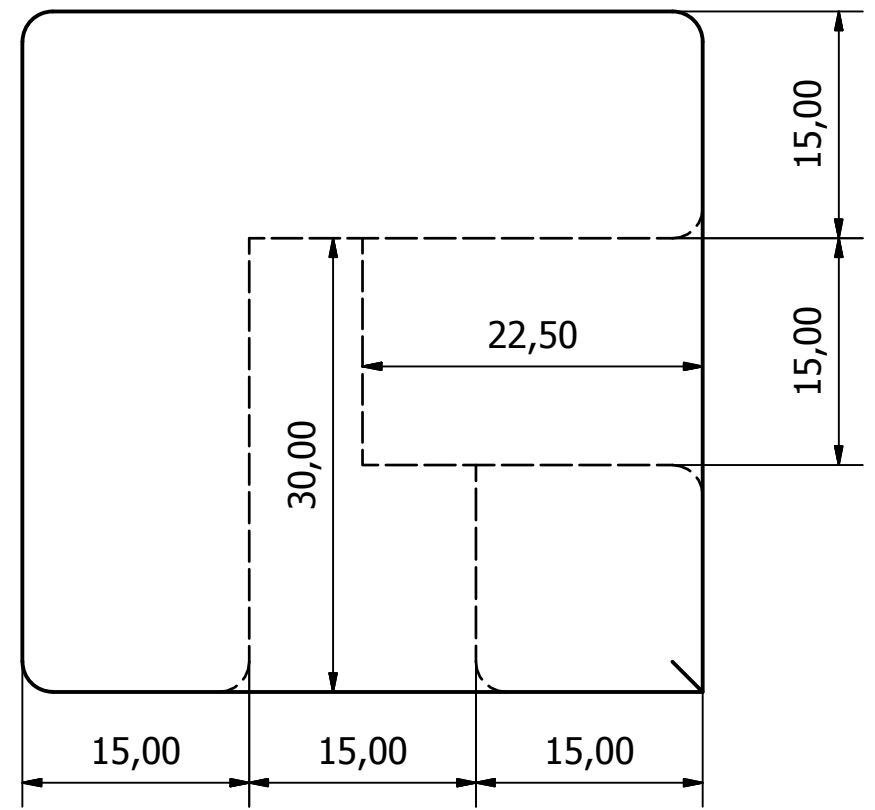
PART 101-01-00

PRODUCED BY AN AUTODESK EDUCATIONAL PRODUCT

PRODUCED BY AN AUTODESK EDUCATIONAL PRODUCT



L (2 : 1)

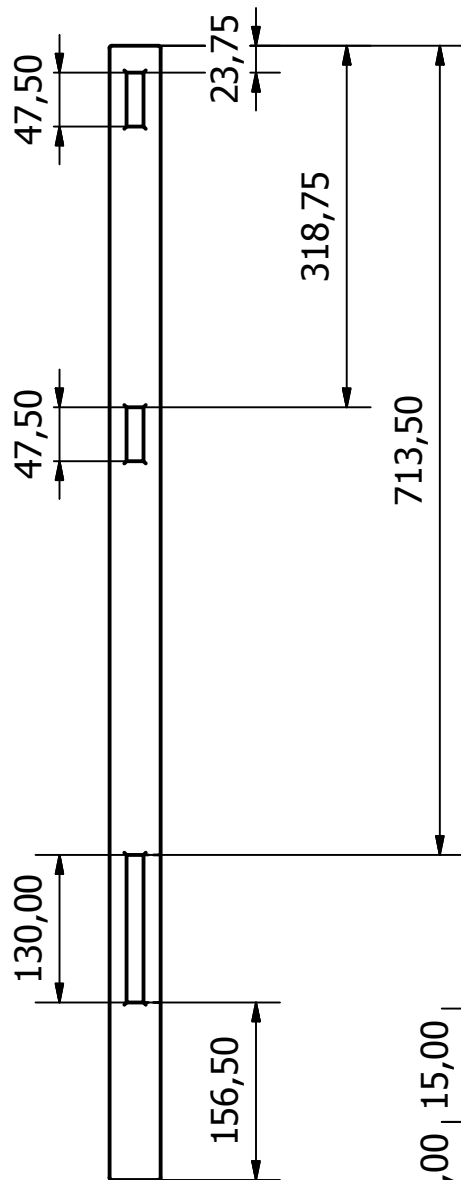
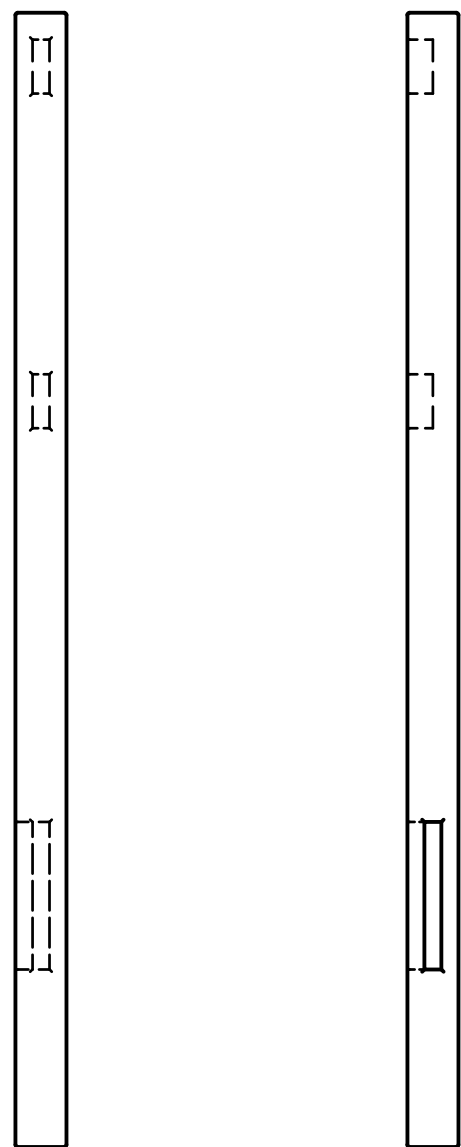


Designed by Jiisuki Audio Lab	Checked by	Approved by	Date	Date 2012-09-01
			Bed Assembly	Edition
			2 / 26	Sheet

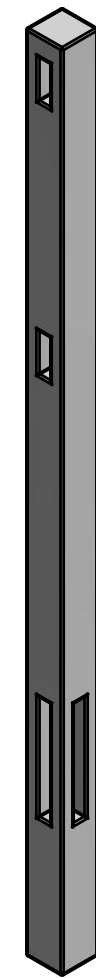
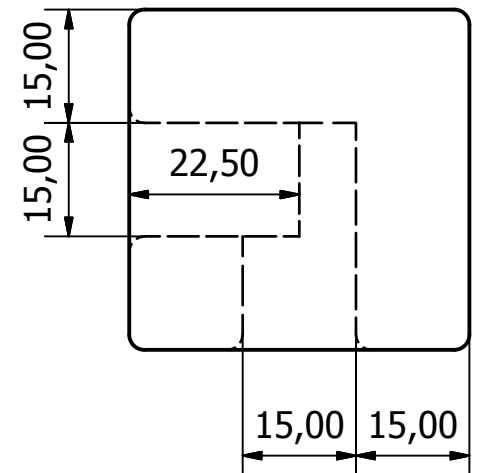
PART 101-01-10

PRODUCED BY AN AUTODESK EDUCATIONAL PRODUCT

PRODUCED BY AN AUTODESK EDUCATIONAL PRODUCT



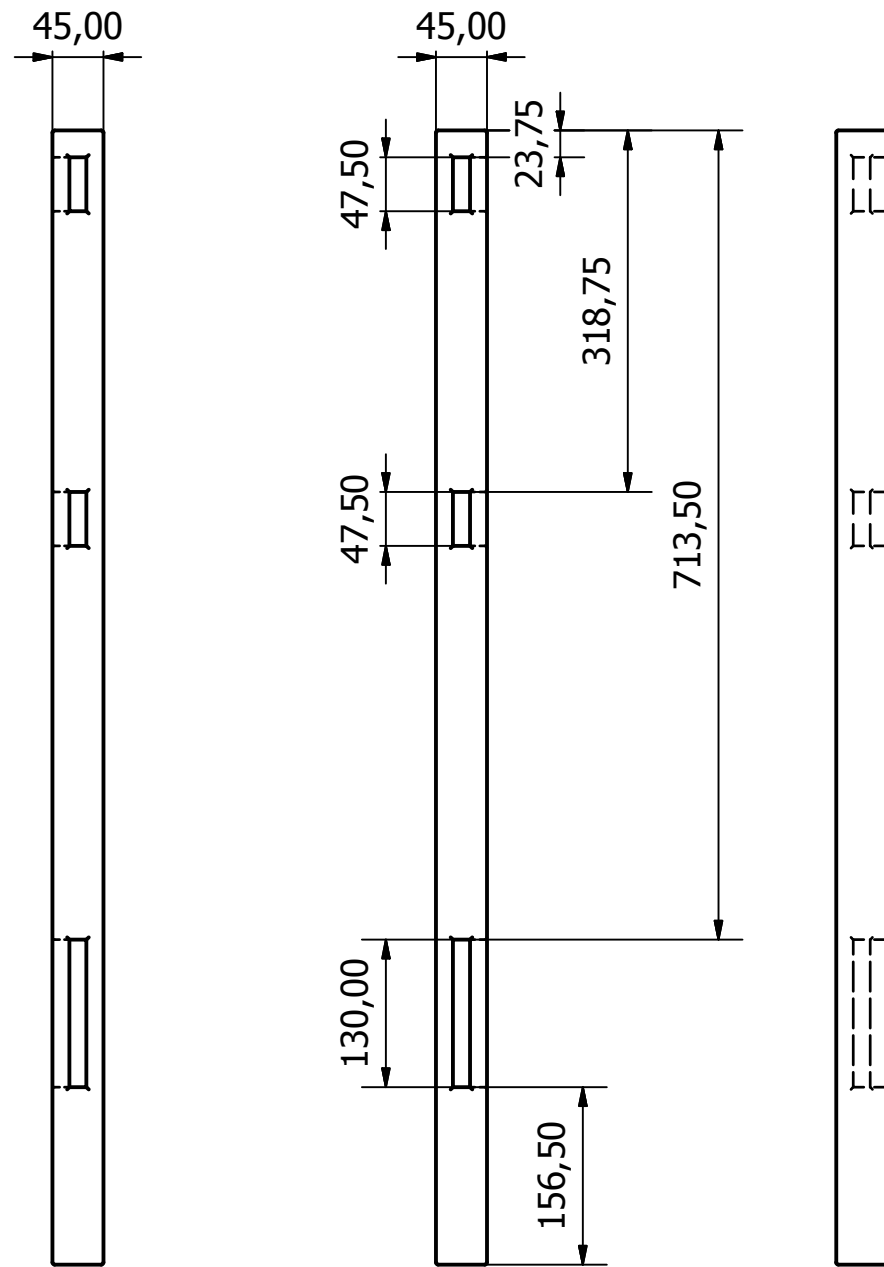
K (1 : 1)



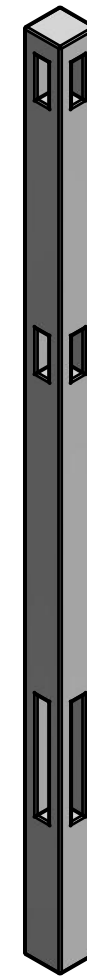
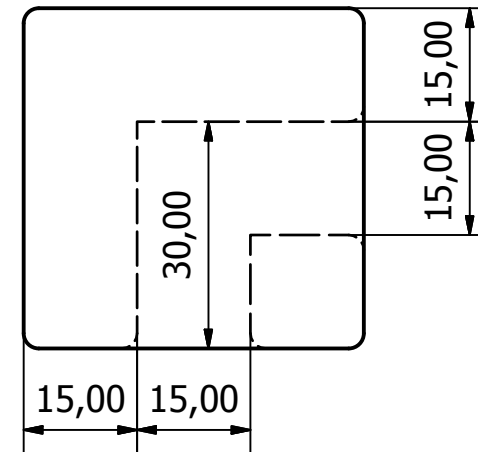
K

Designed by Jiisuki Audio Lab	Checked by	Approved by	Date	Date 2012-09-01
Bed Assembly			Edition	Sheet 3 / 26

PART 101-01-01



J (1 : 1)



Designed by Jiisuki Audio Lab	Checked by	Approved by	Date	Date 2012-09-01
			Bed Assembly	Edition
			4 / 26	Sheet

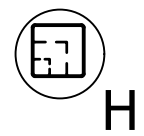
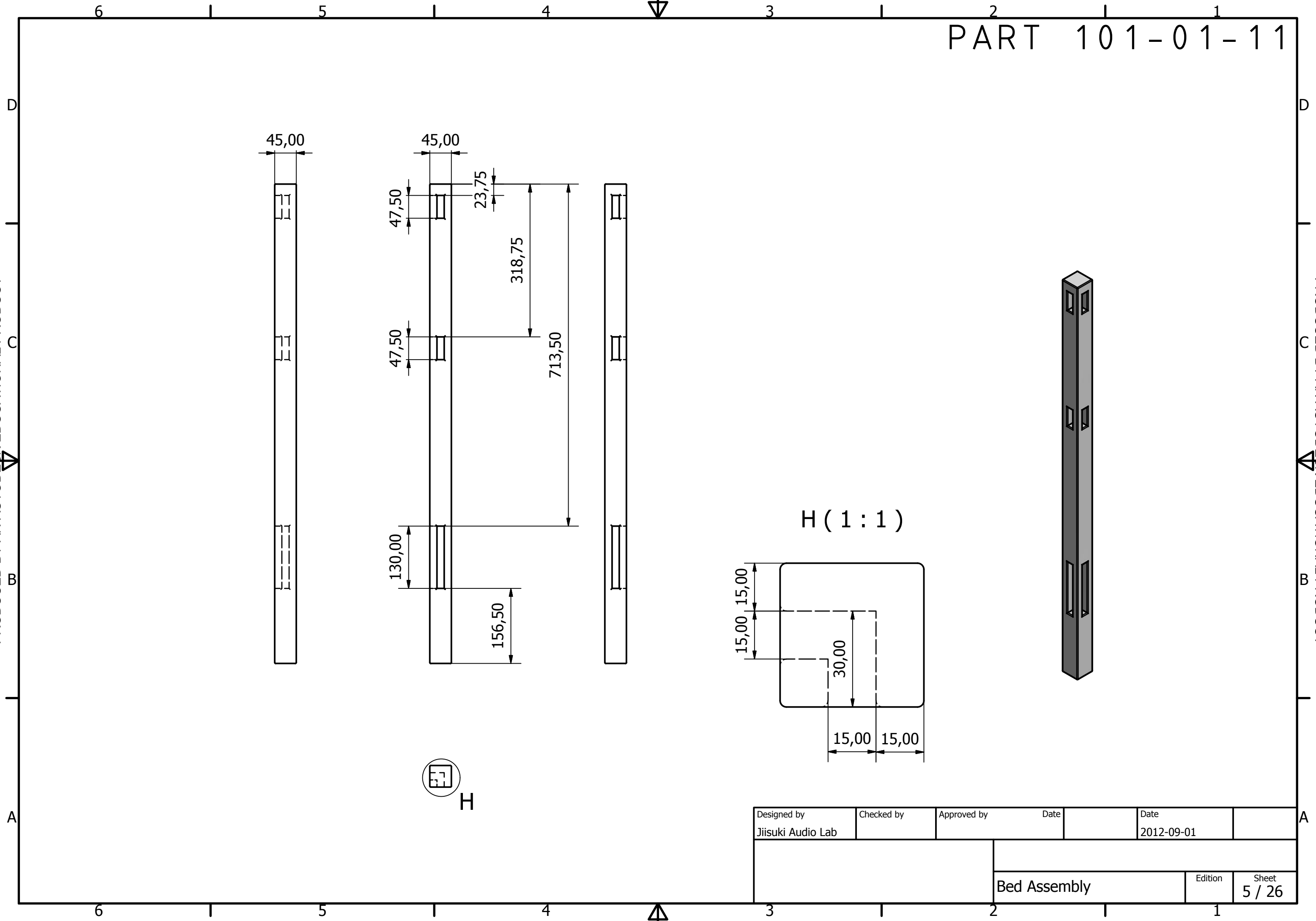
PRODUCED BY AN AUTODESK EDUCATIONAL PRODUCT

PRODUCED BY AN AUTODESK EDUCATIONAL PRODUCT

PART 101-01-11

PRODUCED BY AN AUTODESK EDUCATIONAL PRODUCT

PRODUCED BY AN AUTODESK EDUCATIONAL PRODUCT

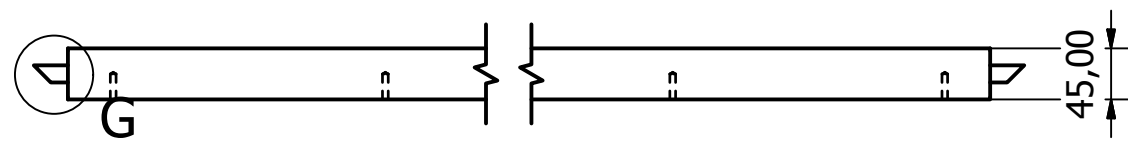
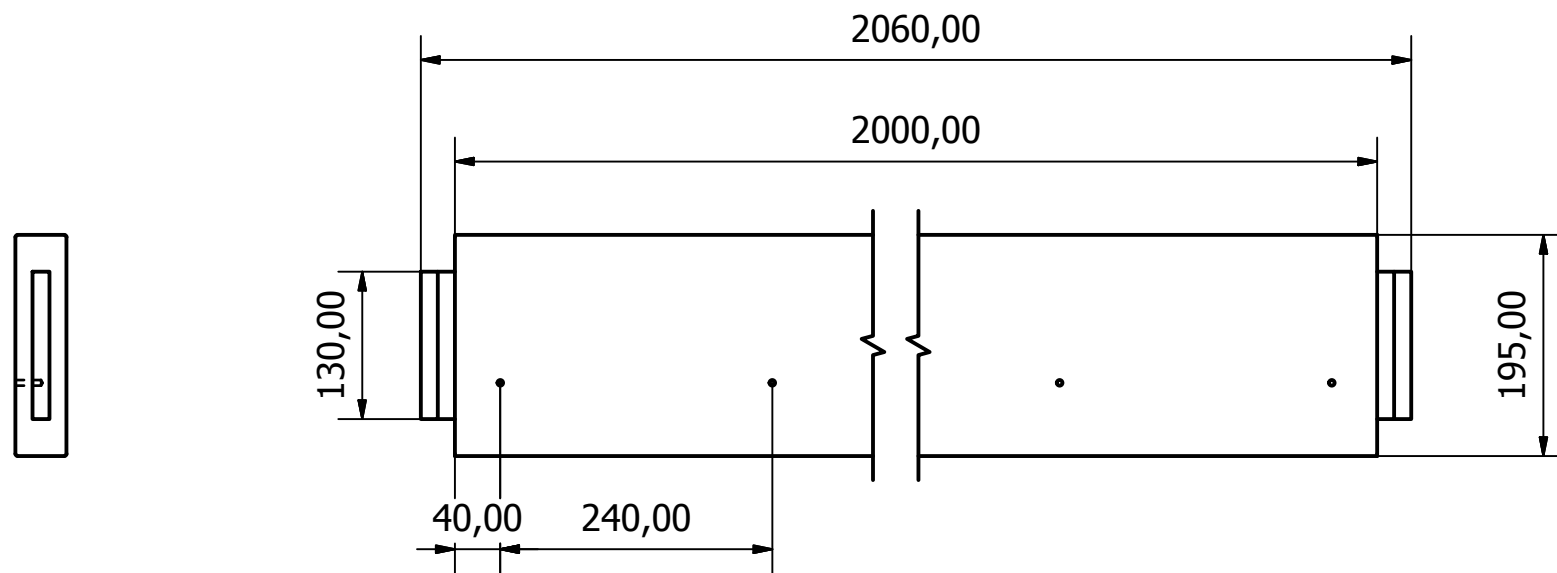
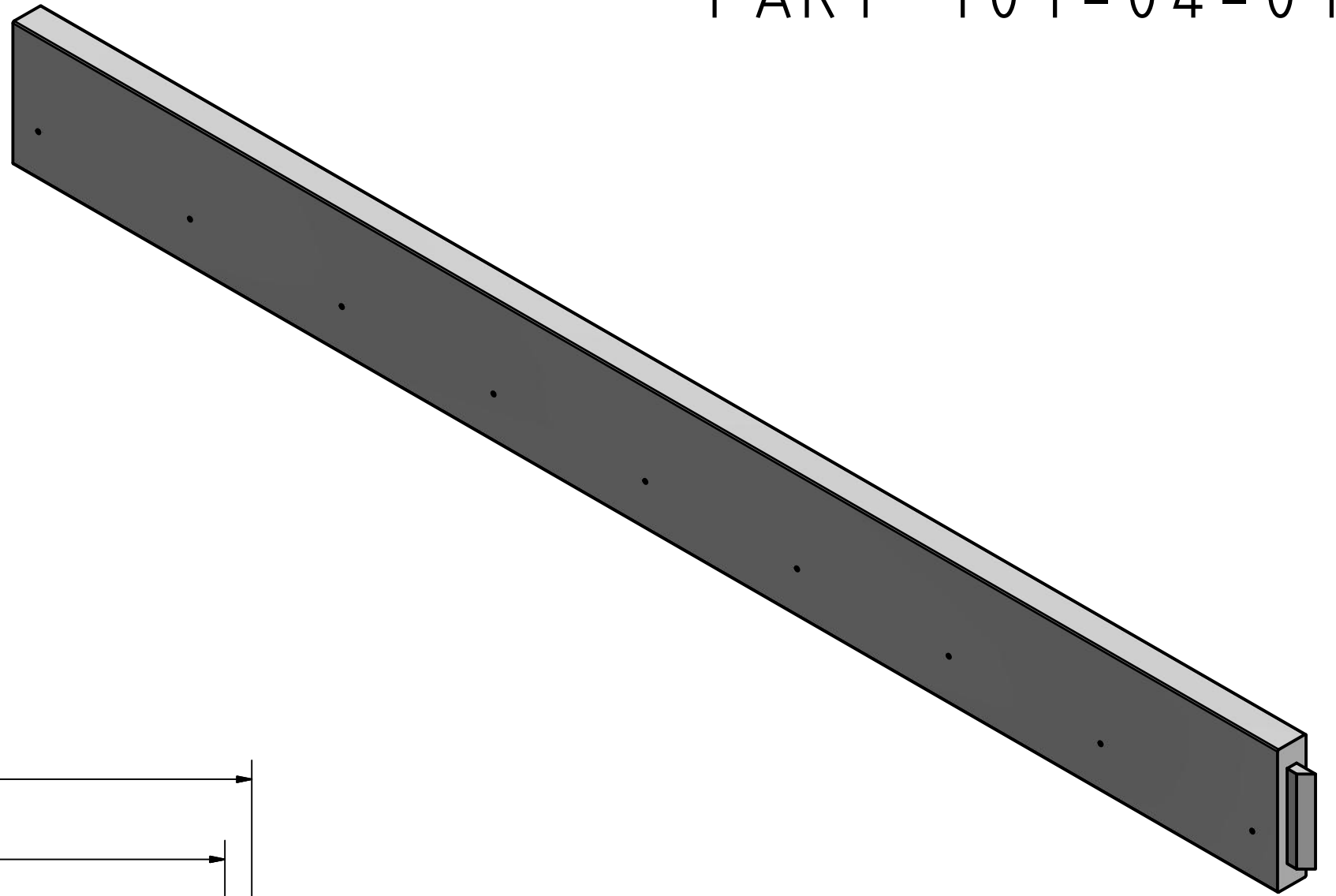
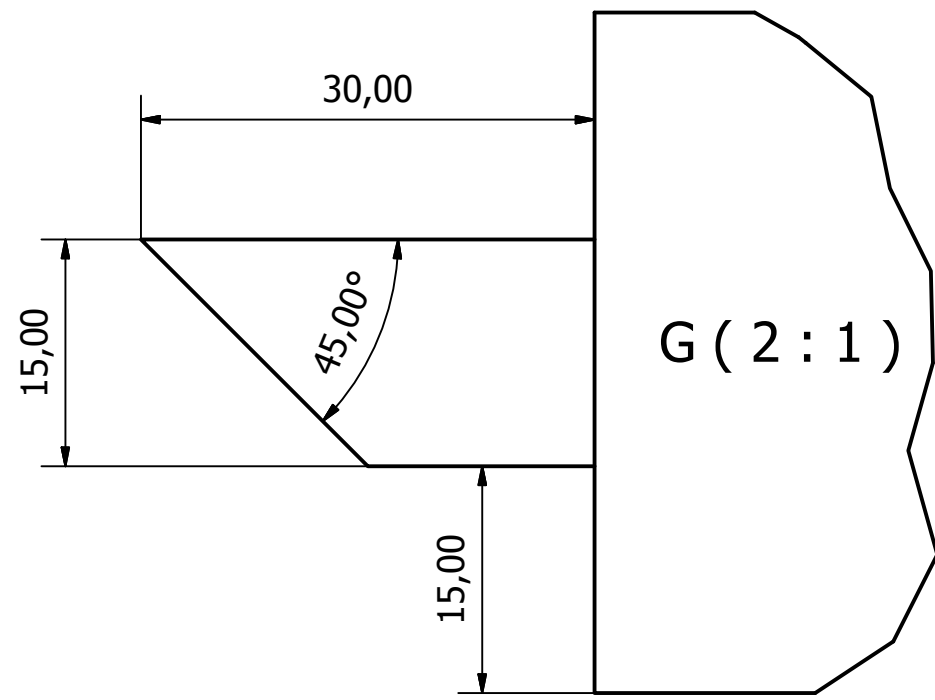


H

H (1 : 1)

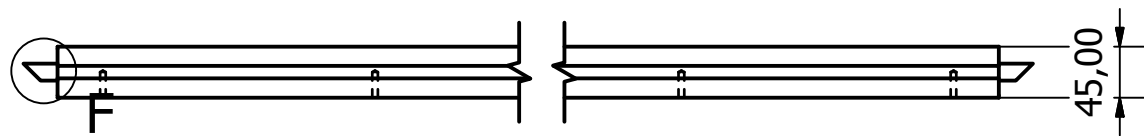
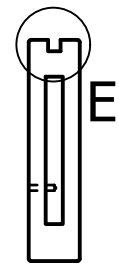
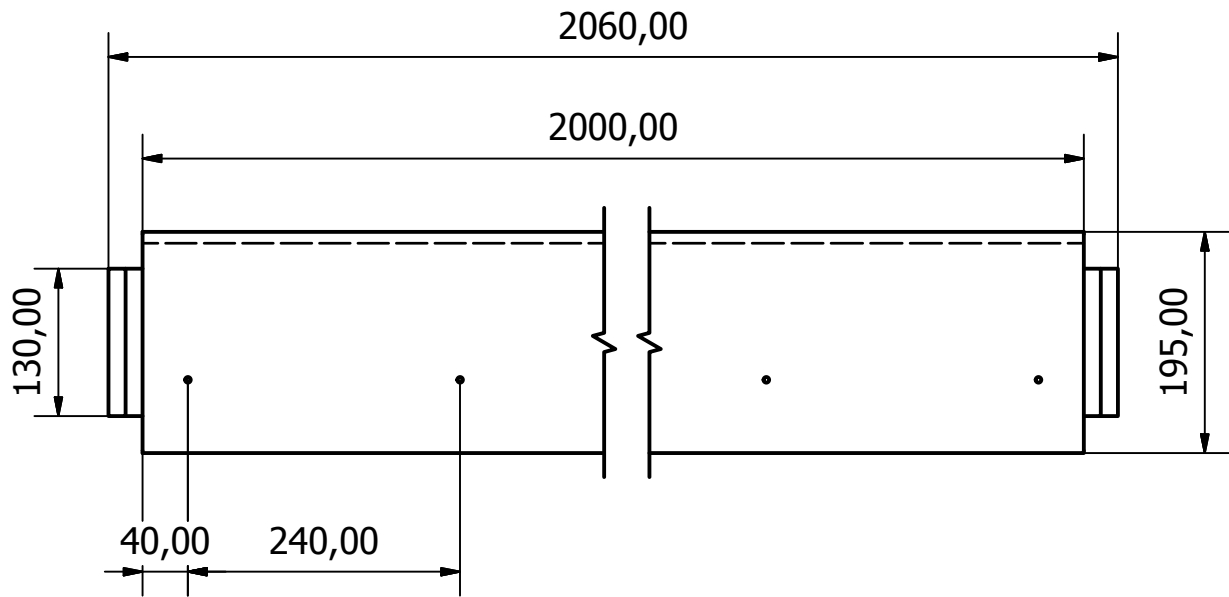
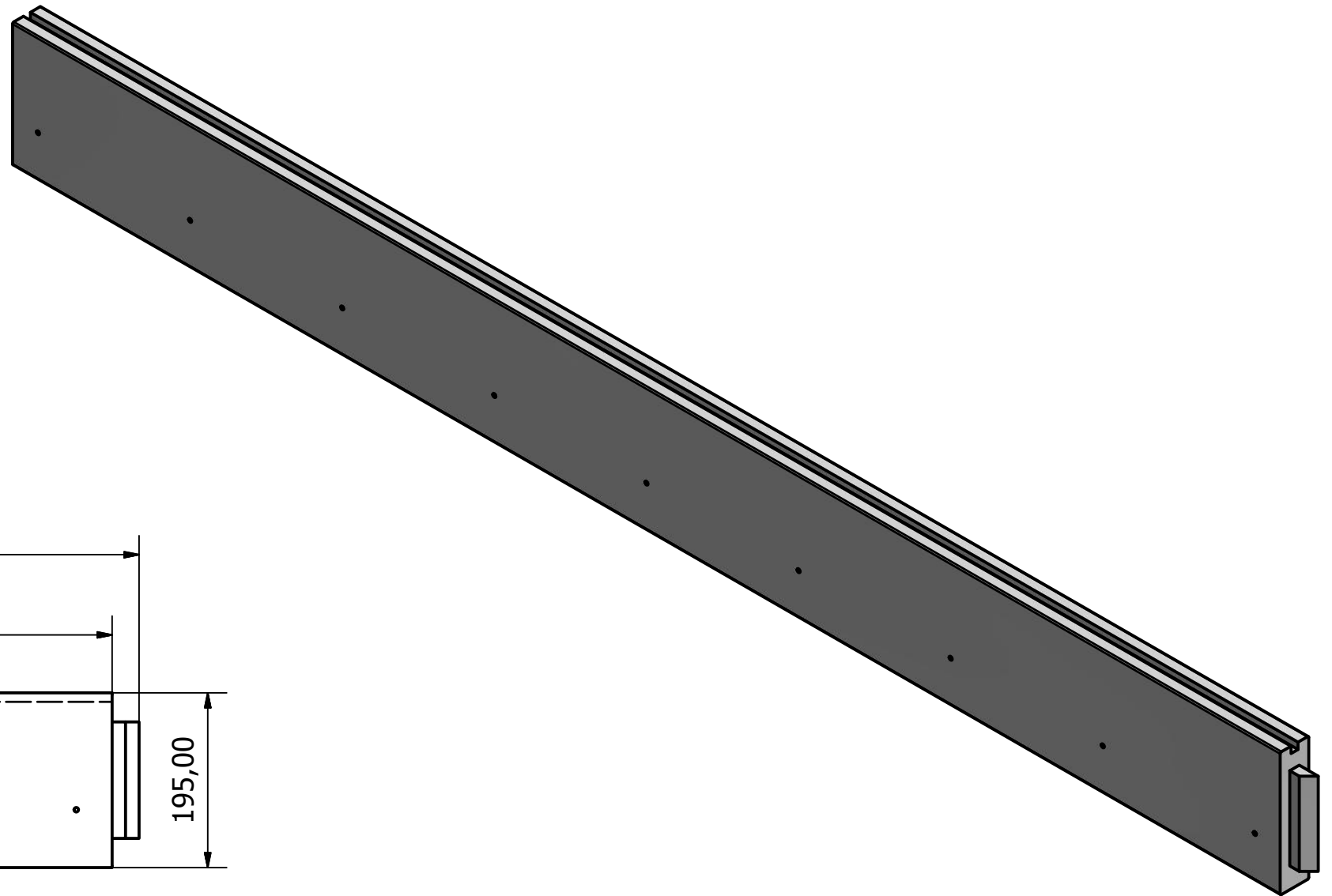
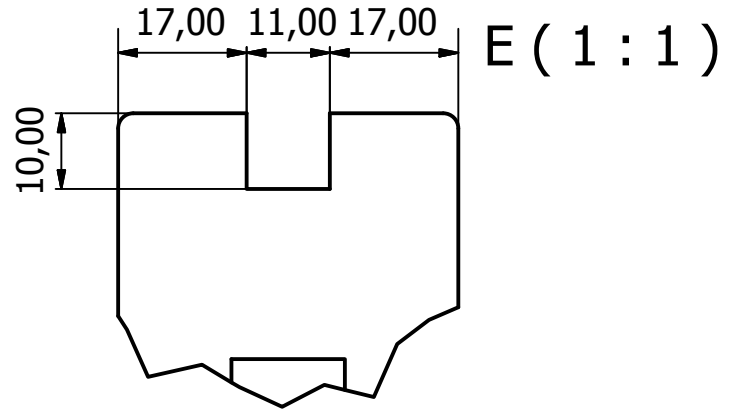
Designed by Jiisuki Audio Lab	Checked by	Approved by	Date	Date 2012-09-01
			Bed Assembly	Edition
			Sheet 5 / 26	

PART 101-04-01

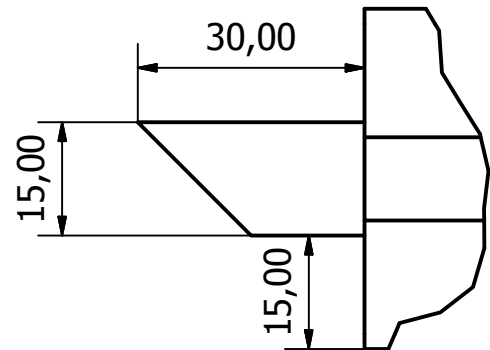


Designed by Jiisuki Audio Lab	Checked by	Approved by	Date	Date 2012-09-01
			Bed Assembly	Edition
			6 / 26	Sheet

PART 101-05-01



F (1 : 1)

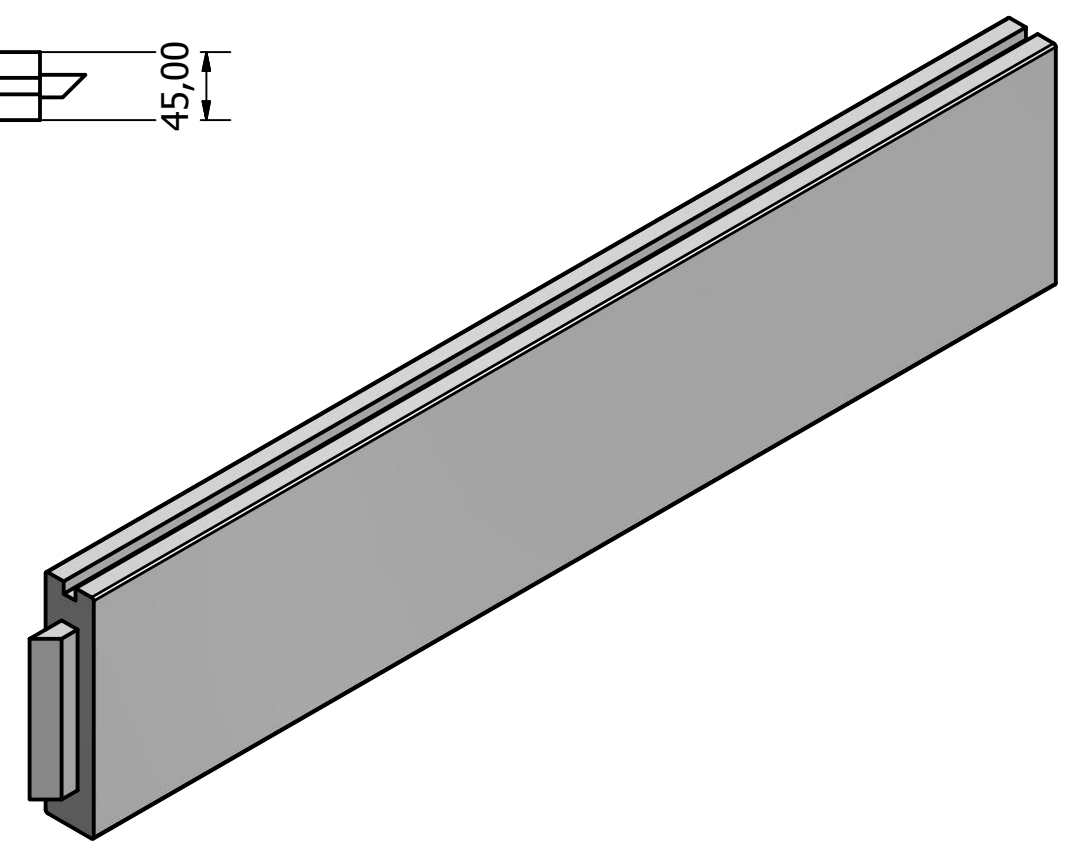
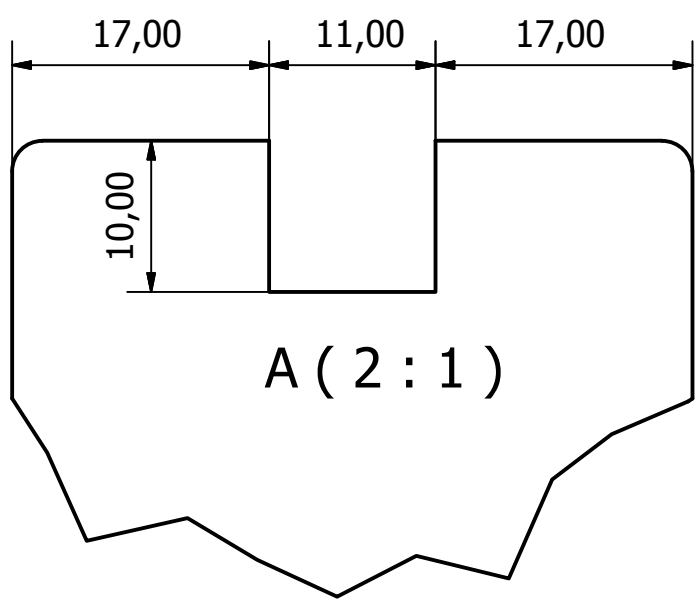
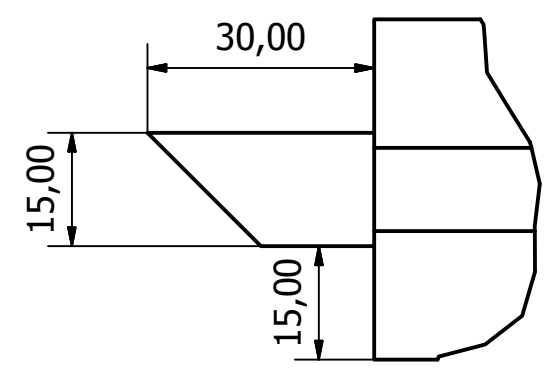
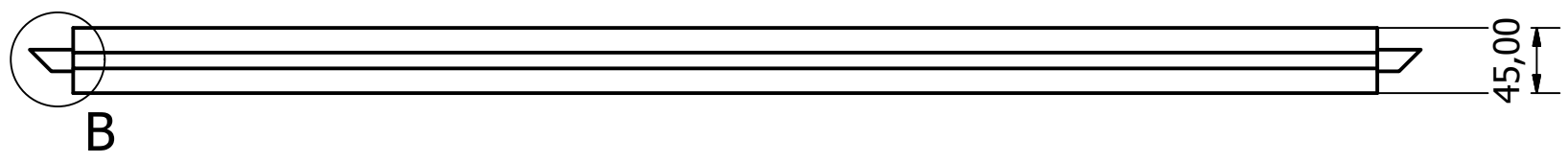
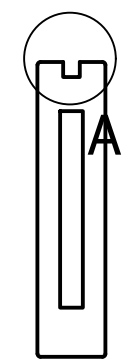
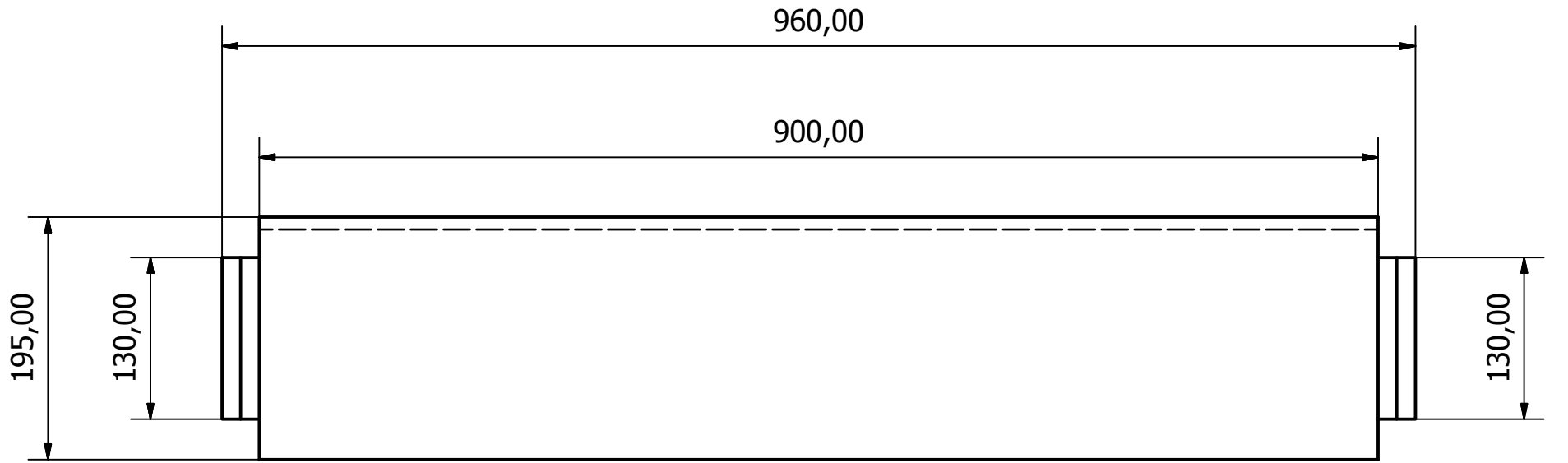


Designed by Jiisuki Audio Lab	Checked by	Approved by	Date	Date 2012-09-01
			Bed Assembly	Edition
				Sheet 7 / 26

PRODUCED BY AN AUTODESK EDUCATIONAL PRODUCT

PRODUCED BY AN AUTODESK EDUCATIONAL PRODUCT

PART 101-02-01

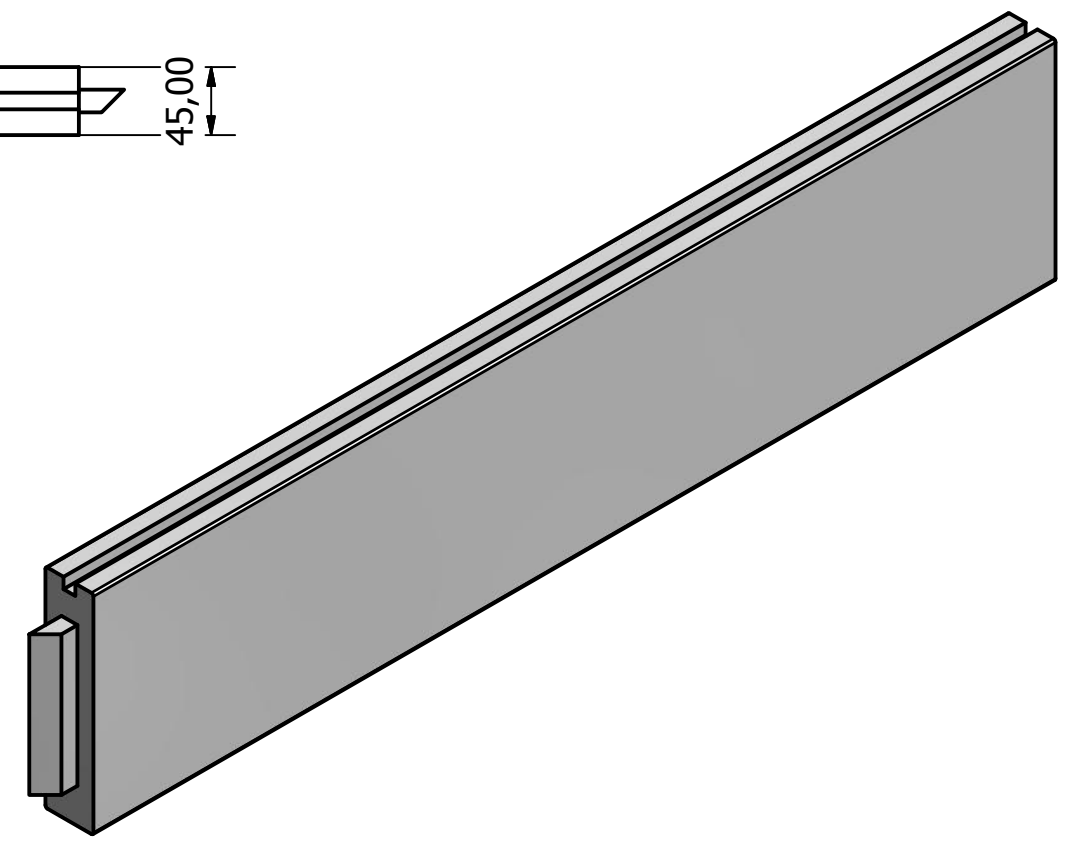
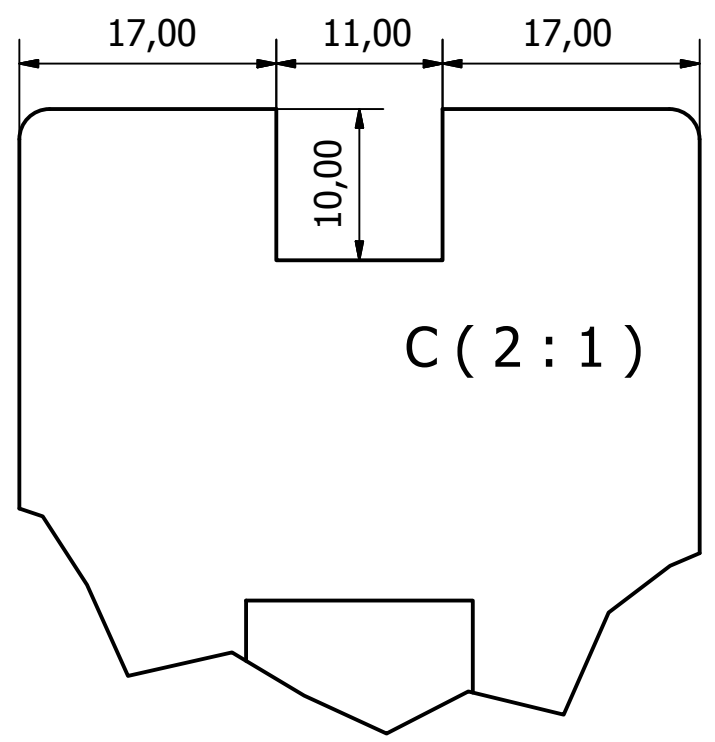
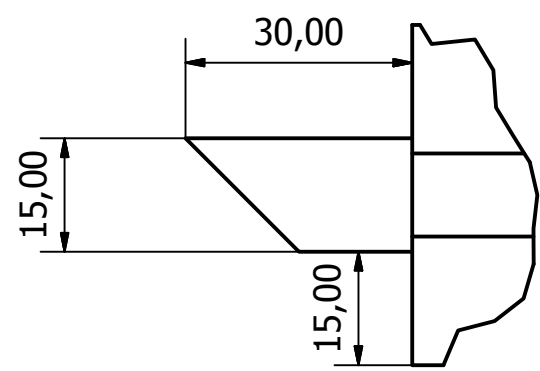
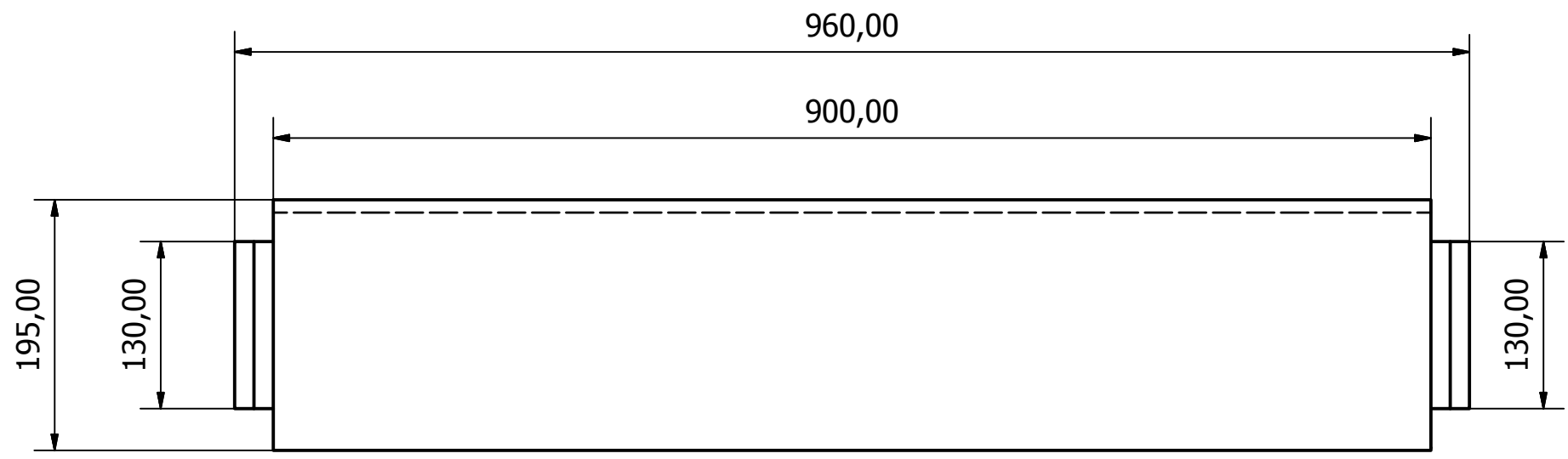


Designed by Jiisuki Audio Lab	Checked by	Approved by	Date	Date 2012-09-01
			Bed Assembly	Edition Sheet 8 / 26

PRODUCED BY AN AUTODESK EDUCATIONAL PRODUCT

PRODUCED BY AN AUTODESK EDUCATIONAL PRODUCT

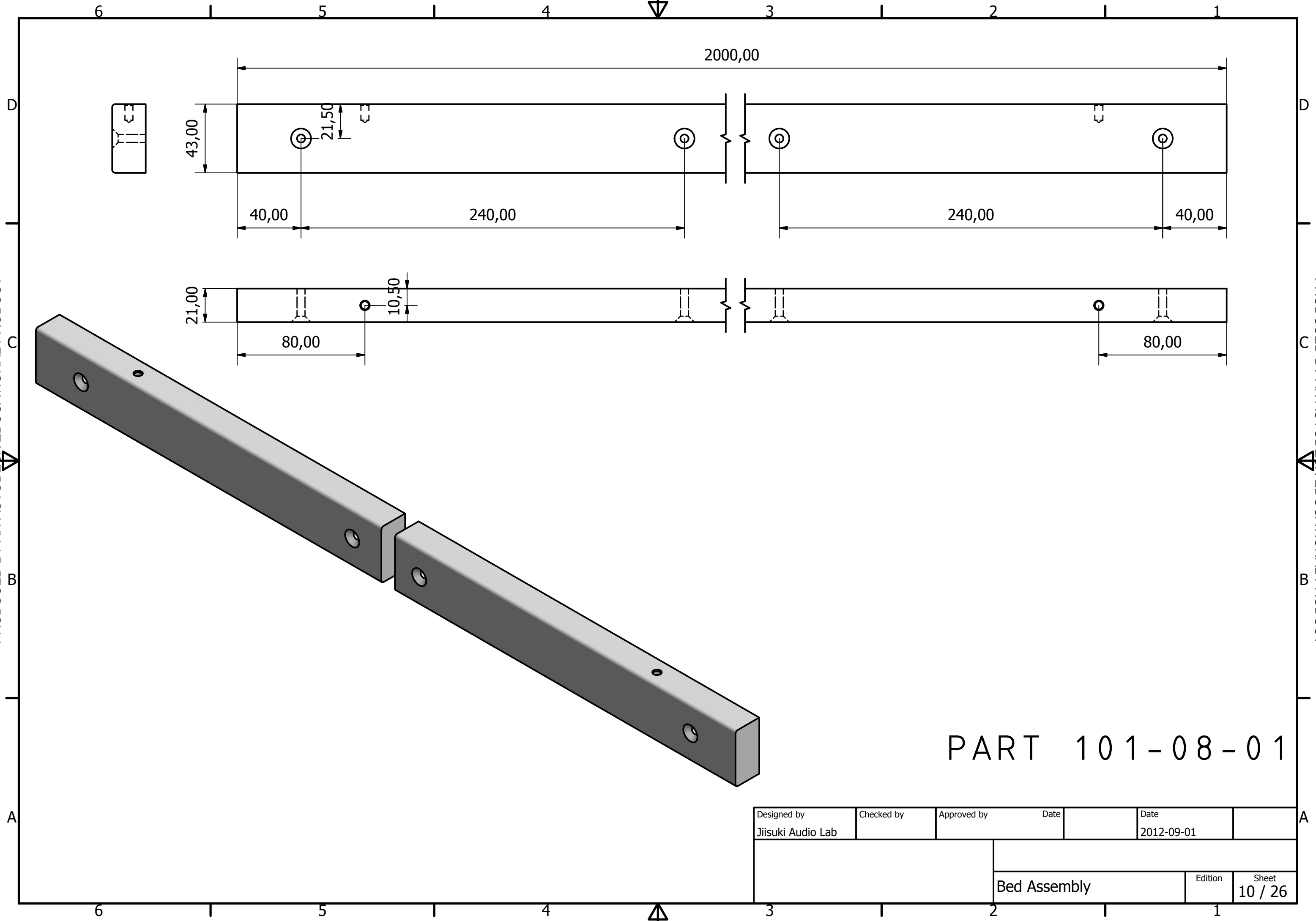
PART 101-03-01



Designed by Jiisuki Audio Lab	Checked by	Approved by	Date	Date 2012-09-01
			Bed Assembly	Edition
				Sheet 9 / 26

PRODUCED BY AN AUTODESK EDUCATIONAL PRODUCT

PRODUCED BY AN AUTODESK EDUCATIONAL PRODUCT



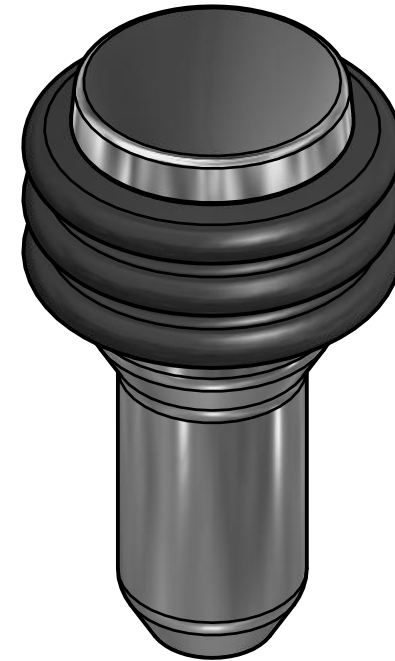
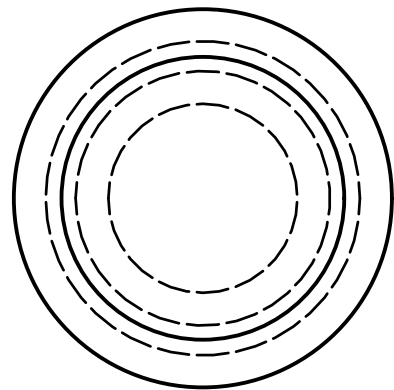
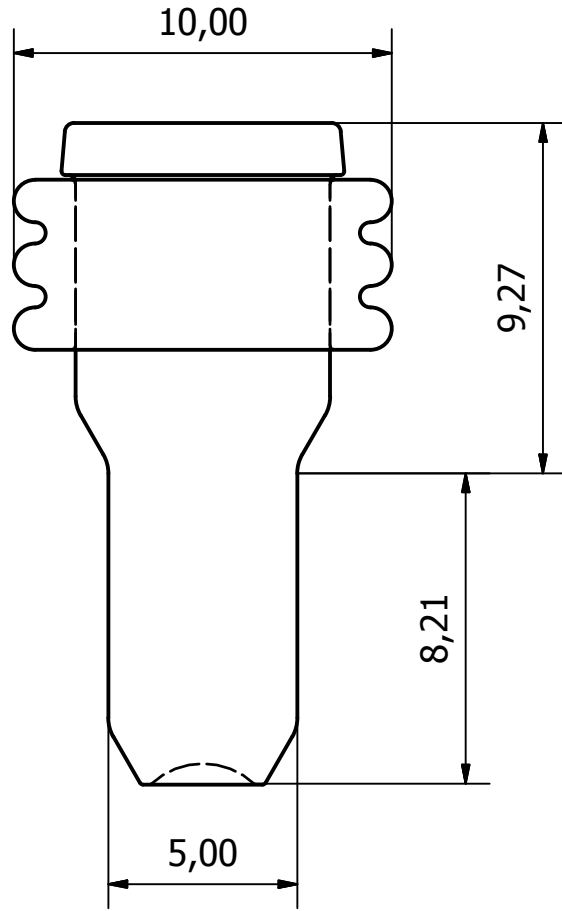
PART 101-08-01

Designed by Jiisuki Audio Lab	Checked by	Approved by	Date	Date 2012-09-01
			Bed Assembly	Edition
			Sheet 10 / 26	

PRODUCED BY AN AUTODESK EDUCATIONAL PRODUCT

PRODUCED BY AN AUTODESK EDUCATIONAL PRODUCT

PART 101-08-02



Designed by Jiisuki Audio Lab	Checked by	Approved by	Date	Date 2012-09-01
		Bed Assembly		
			Edition	Sheet 11 / 26

PRODUCED BY AN AUTODESK EDUCATIONAL PRODUCT

PRODUCED BY AN AUTODESK EDUCATIONAL PRODUCT

D

D

C

C

B

B

A

A

6

1

5

1

4

3

1

2

1

1

1

6

1

5

1

4

3

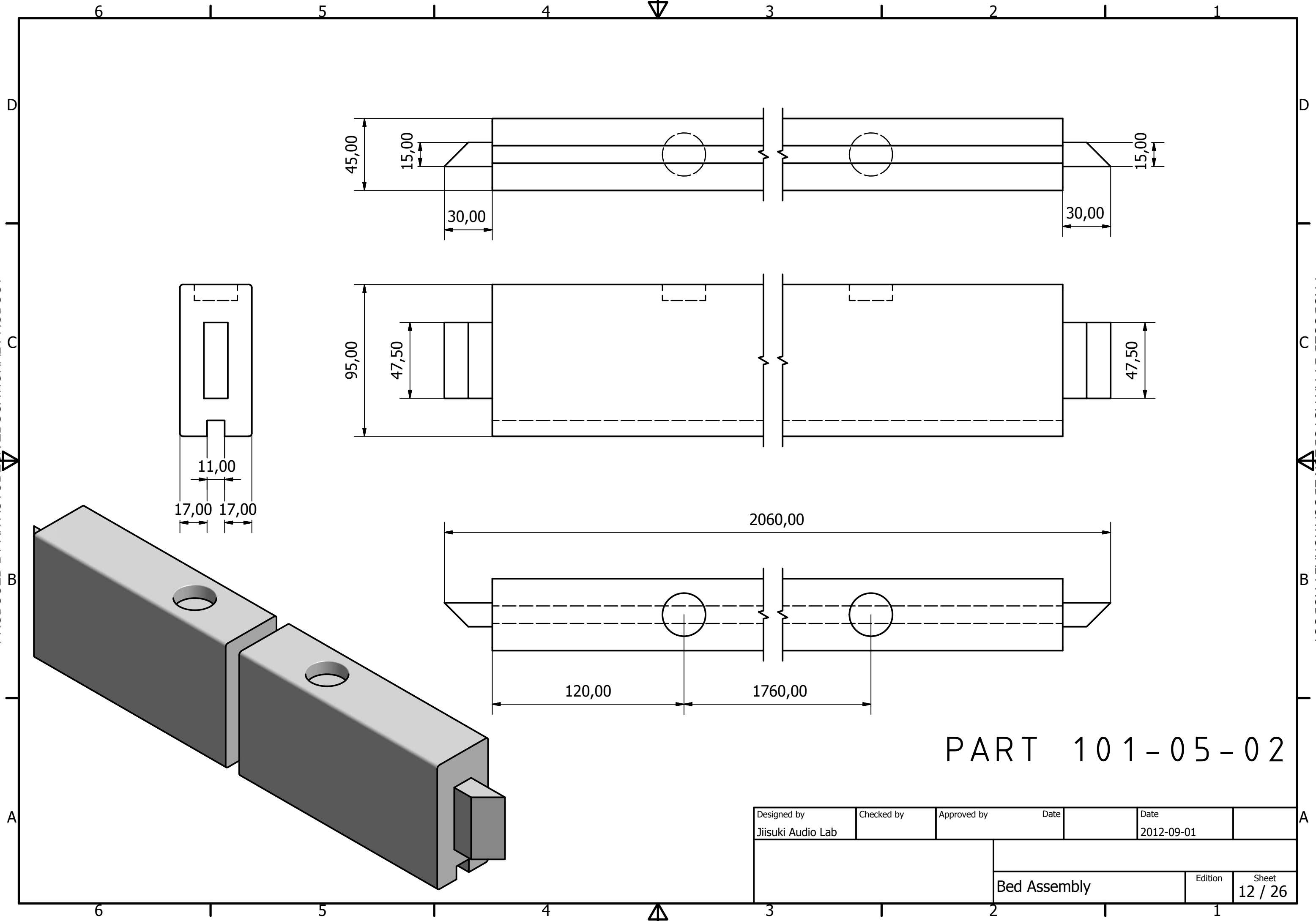
1

2

1

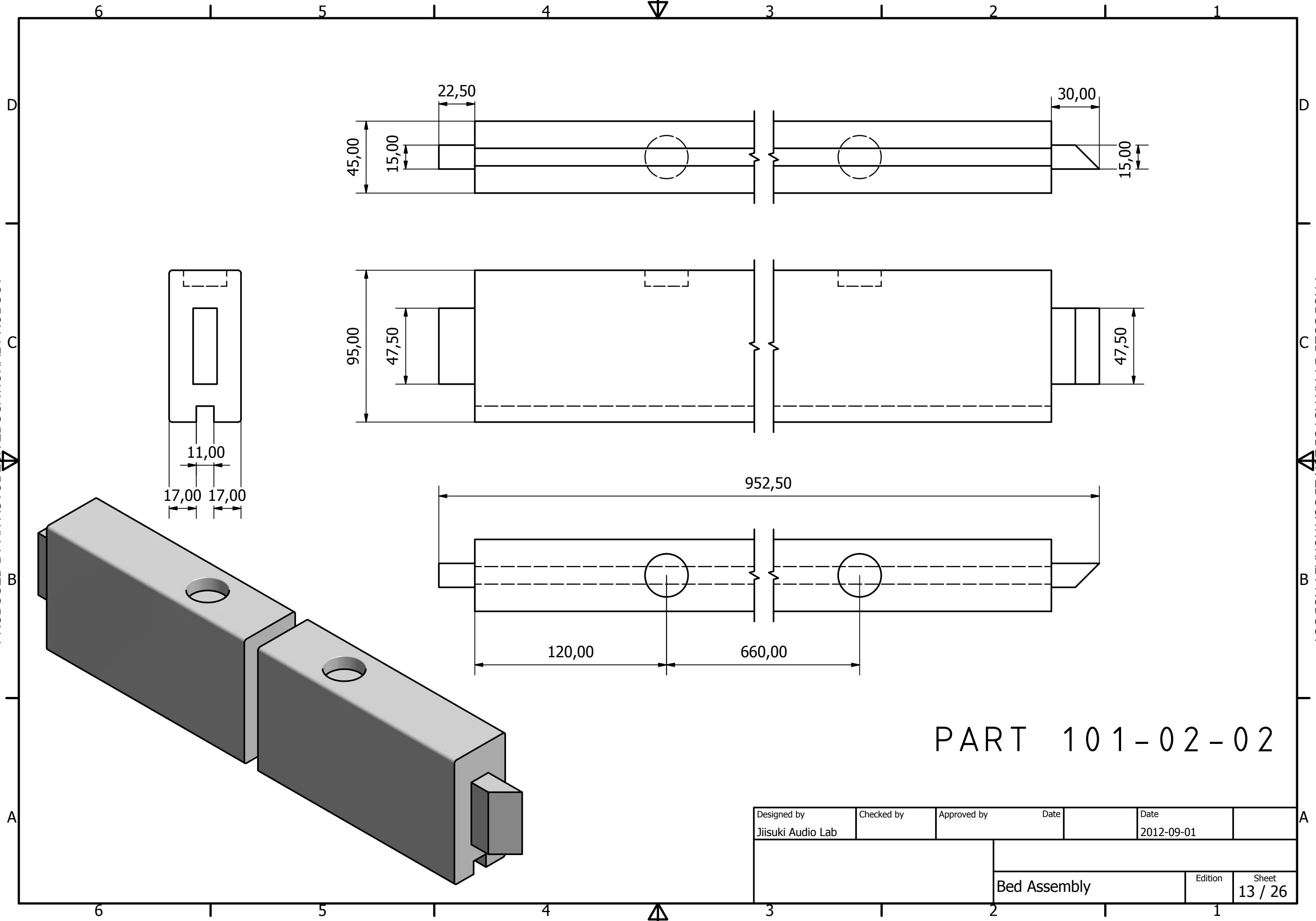
1

1



PART 101-05-02

Designed by Jiisuki Audio Lab	Checked by	Approved by	Date	Date 2012-09-01
			Bed Assembly	Edition Sheet 12 / 26

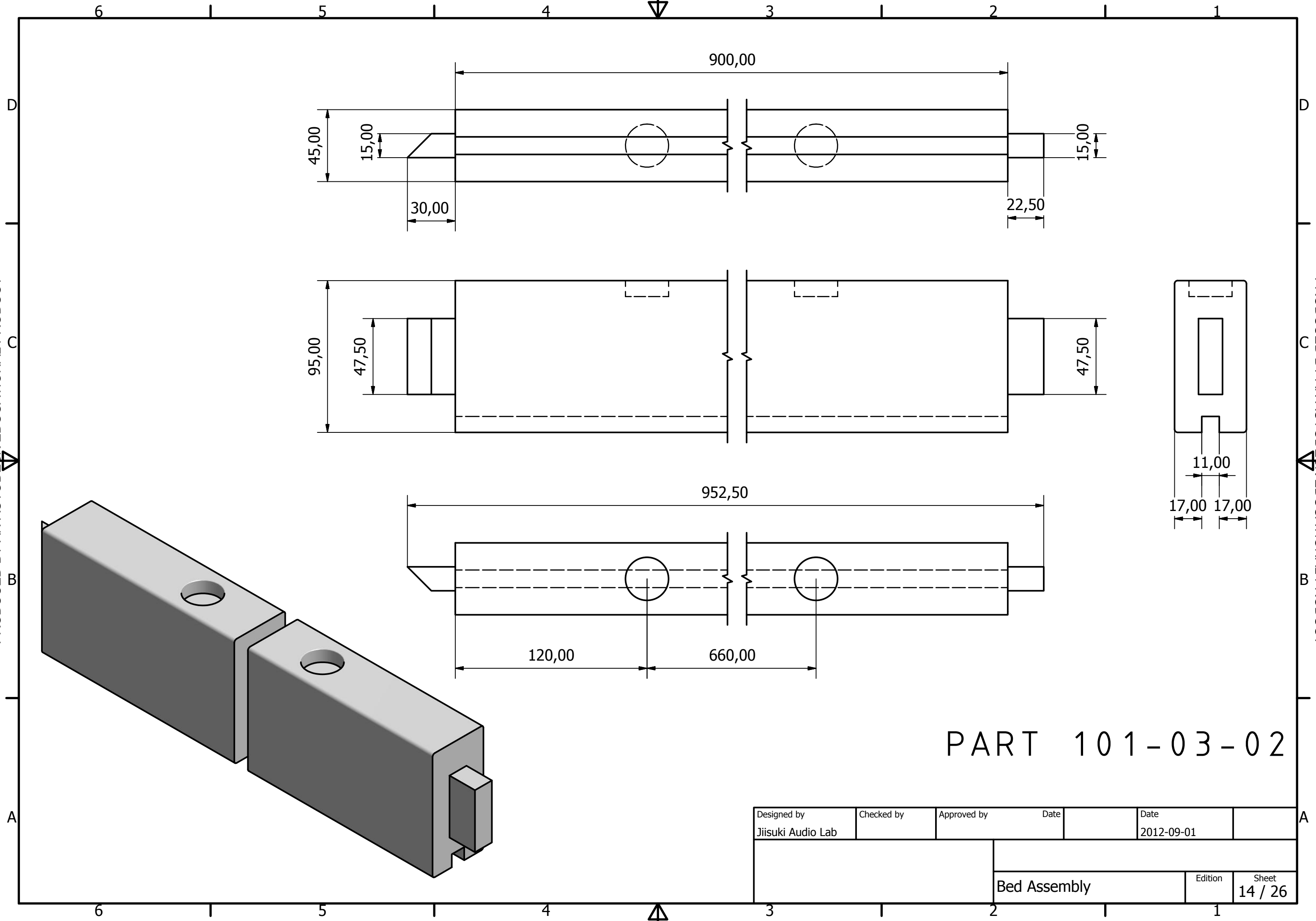


PART 101-02-02

Designed by Jiisuki Audio Lab	Checked by	Approved by	Date	Date 2012-09-01
			Bed Assembly	Edition Sheet 13 / 26

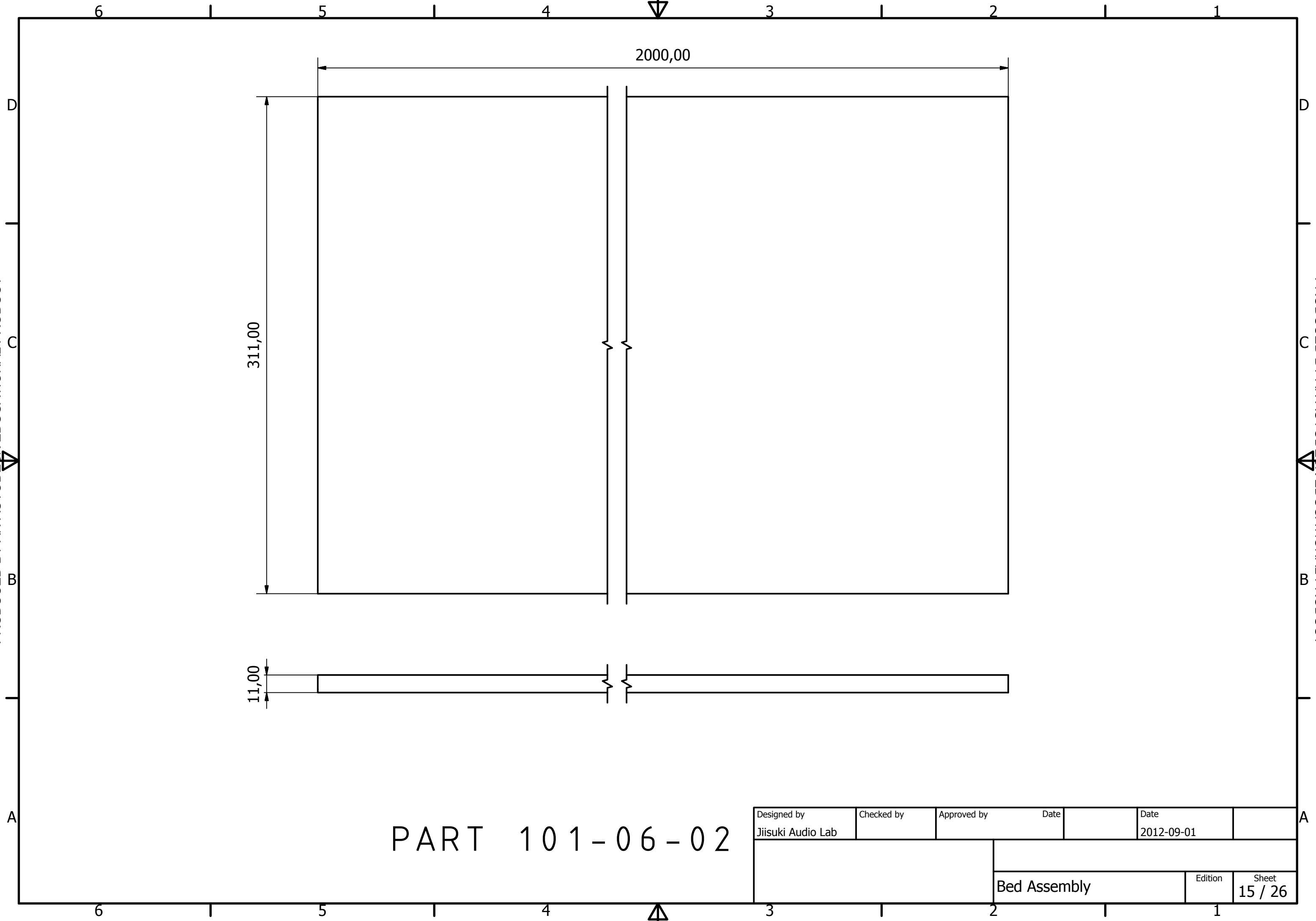
PRODUCED BY AN AUTODESK EDUCATIONAL PRODUCT

PRODUCED BY AN AUTODESK EDUCATIONAL PRODUCT



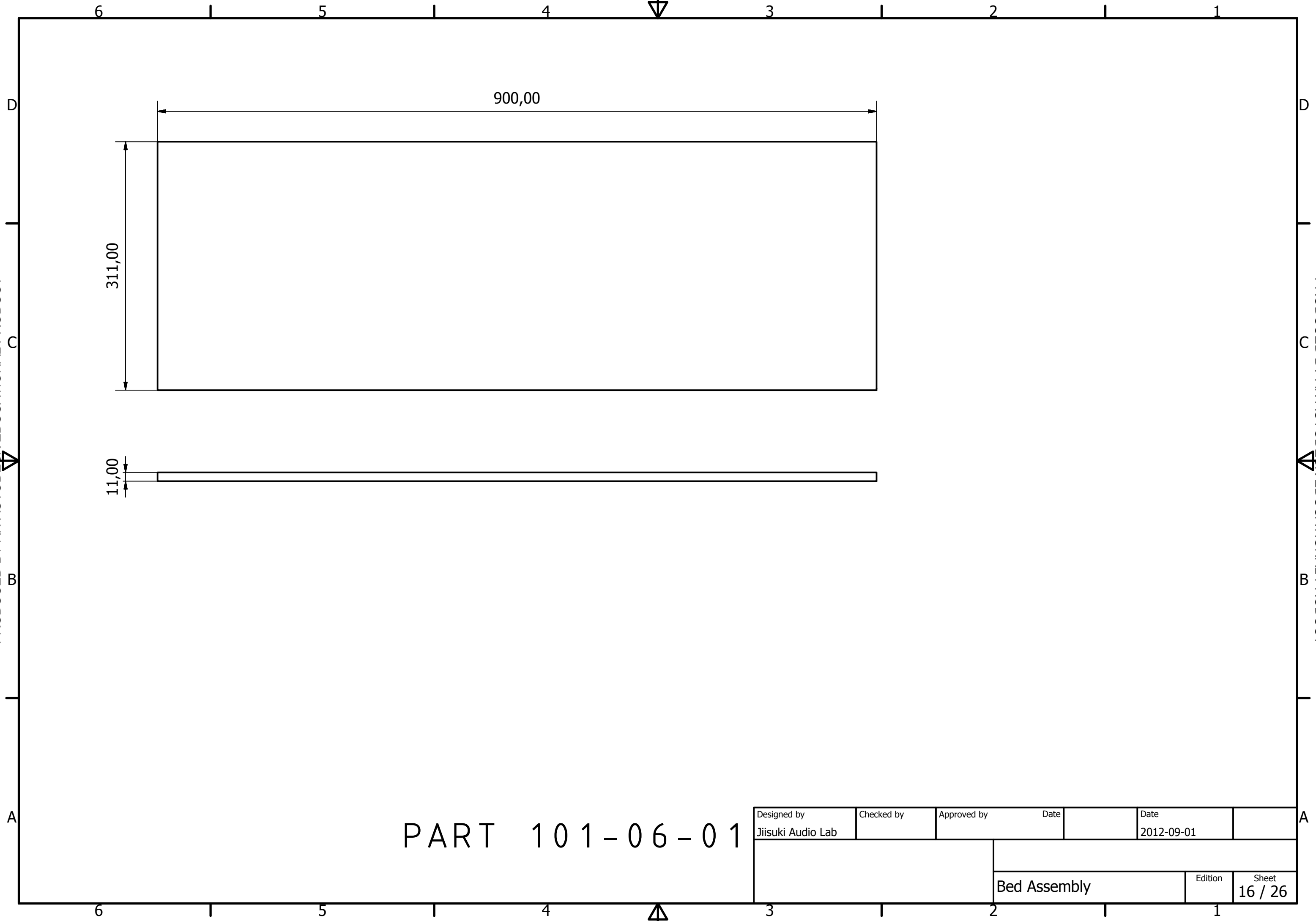
PART 101-03-02

Designed by Jiisuki Audio Lab	Checked by	Approved by	Date	Date 2012-09-01
			Bed Assembly	Edition Sheet 14 / 26



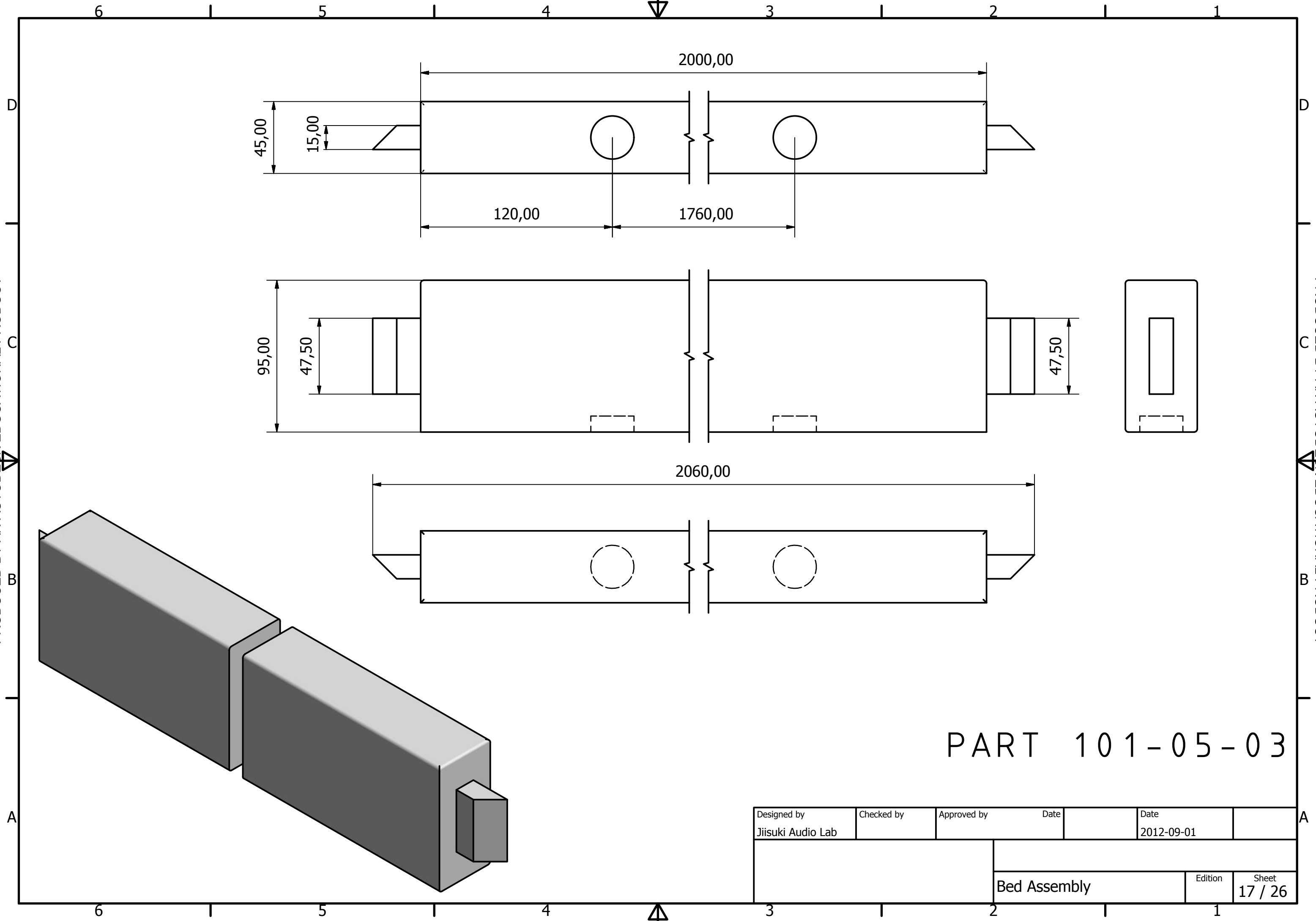
PART 101-06-02

Designed by Jiisuki Audio Lab	Checked by	Approved by	Date	Date 2012-09-01
			Bed Assembly	Edition
			15 / 26	Sheet



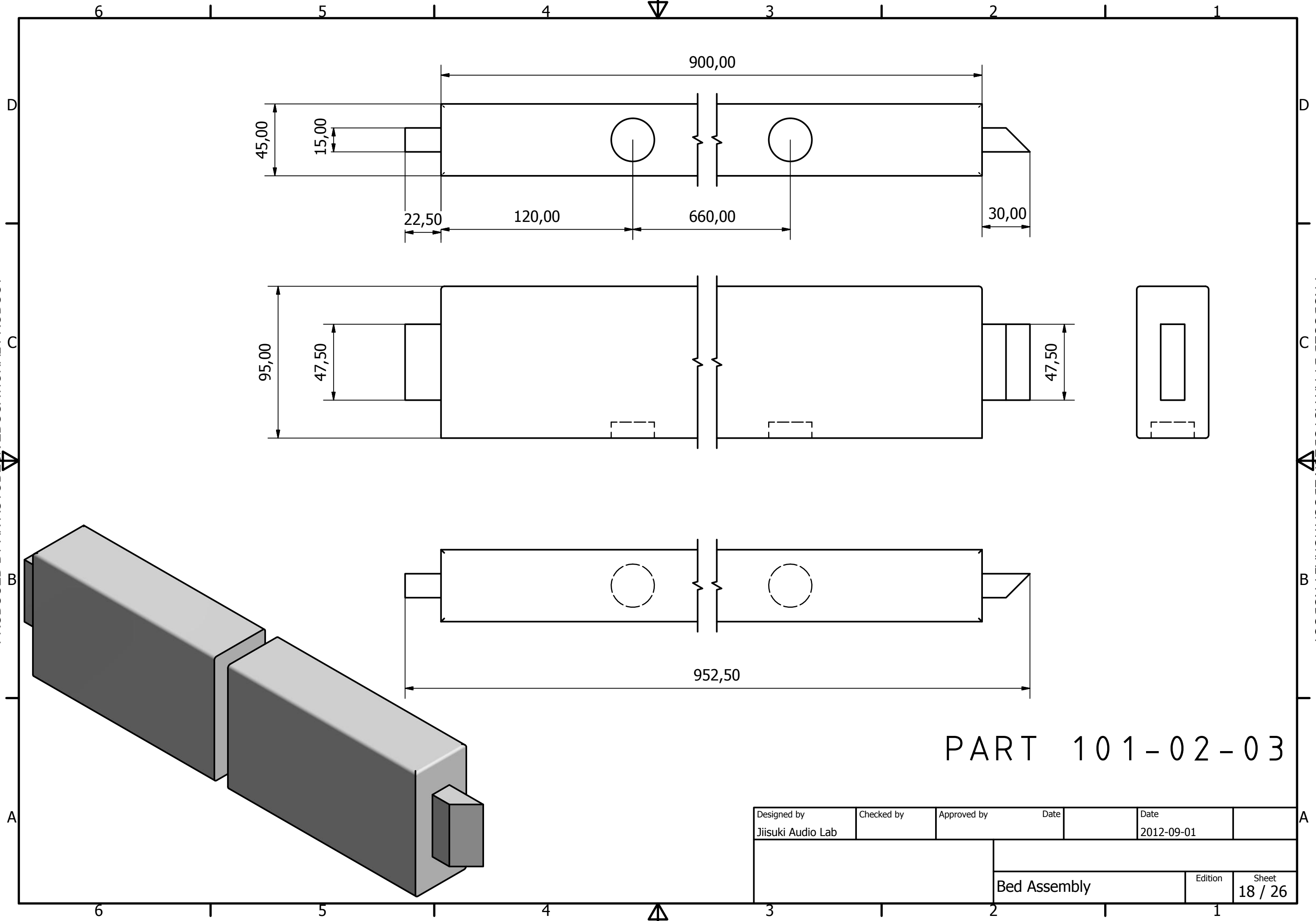
PART 101-06-01

Designed by Jiisuki Audio Lab	Checked by	Approved by	Date	Date 2012-09-01
Bed Assembly			Edition	Sheet 16 / 26



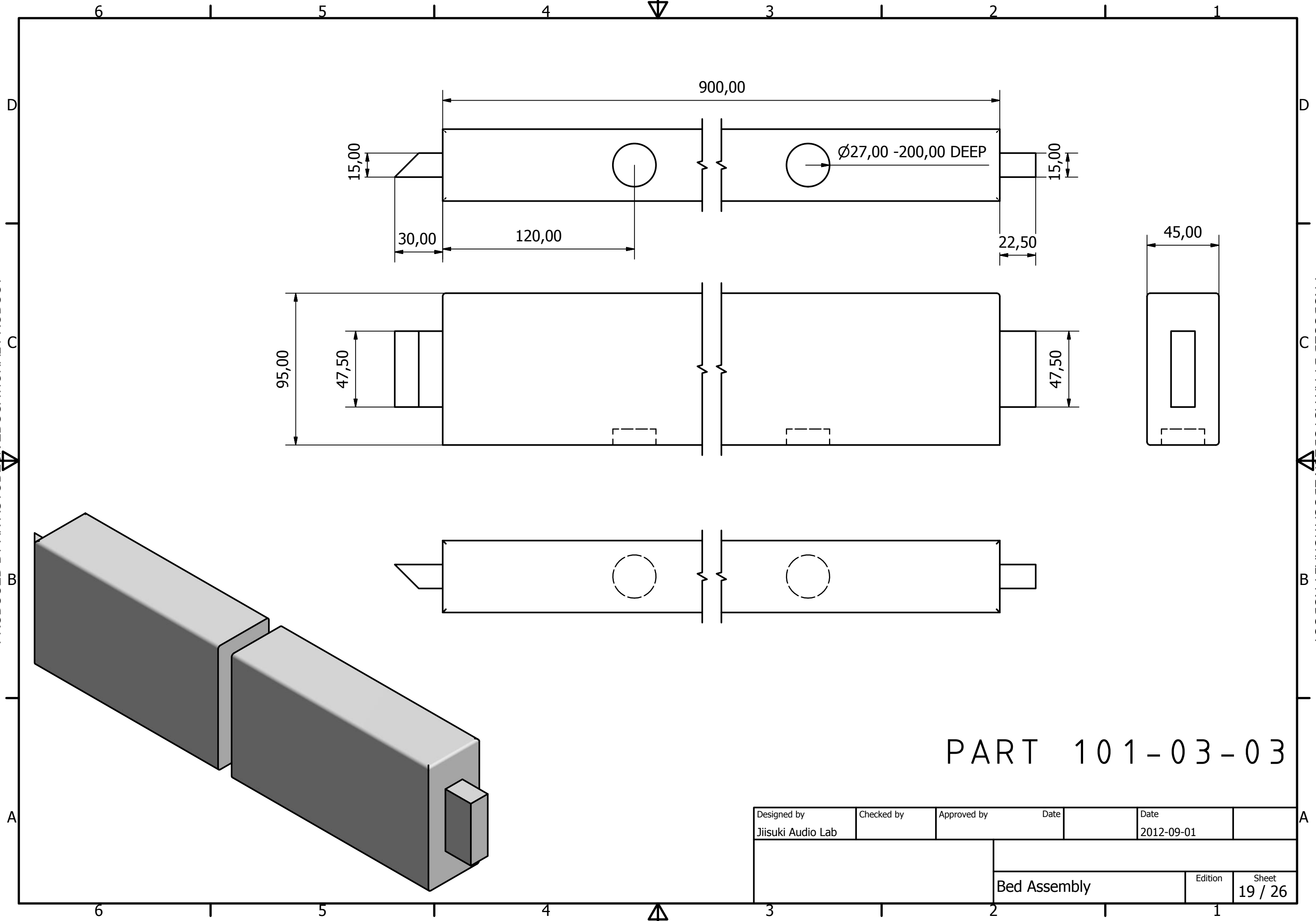
PART 101-05-03

Designed by Jiisuki Audio Lab	Checked by	Approved by	Date	Date 2012-09-01
		Bed Assembly		
		Edition	Sheet 17 / 26	



PART 101-02-03

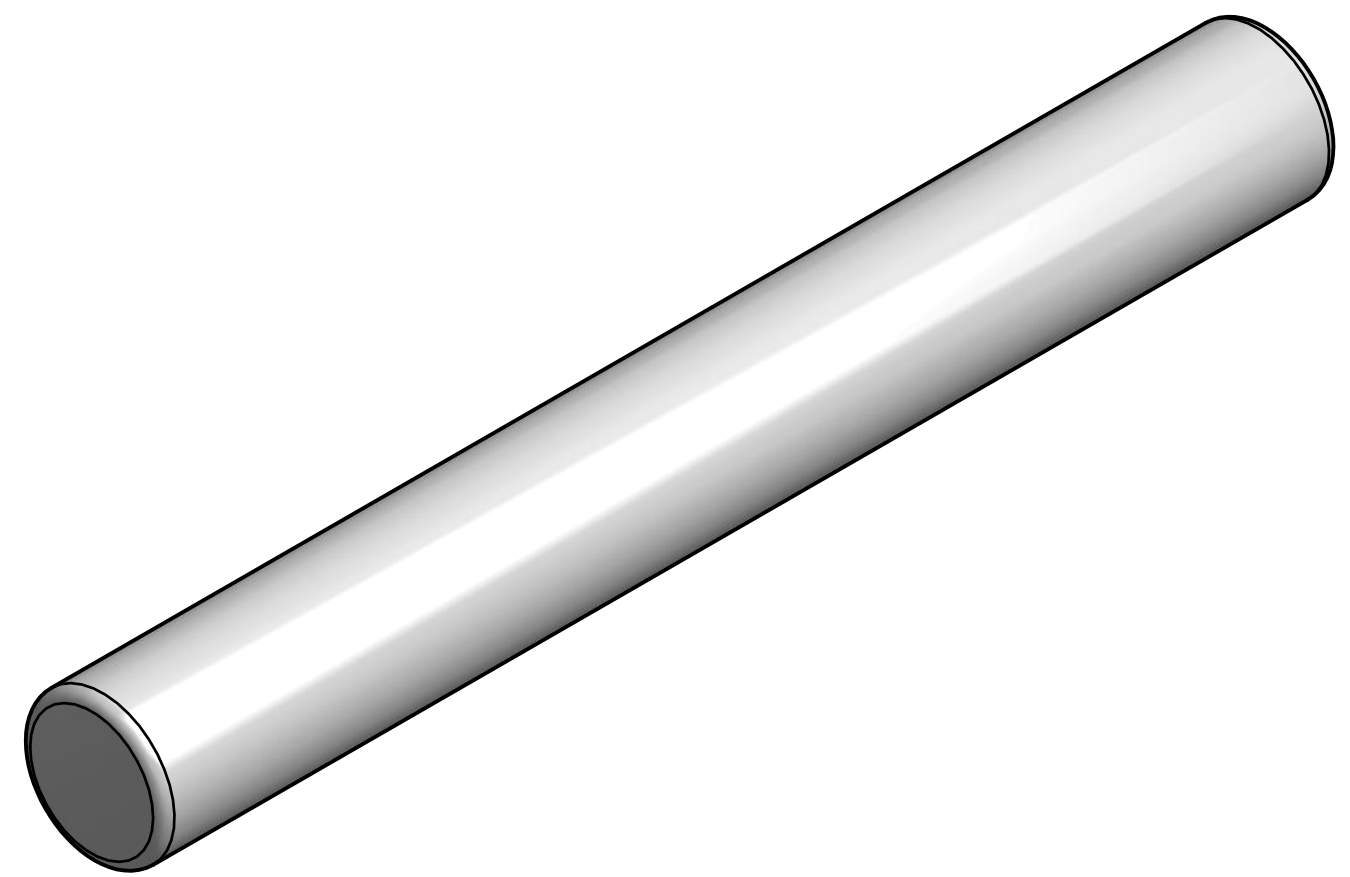
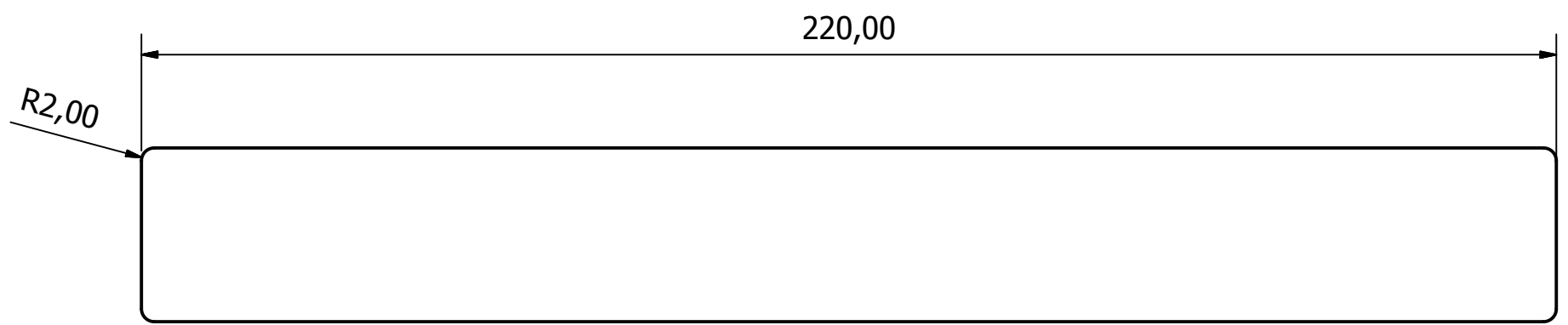
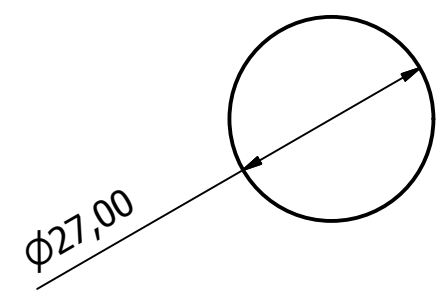
Designed by Jiisuki Audio Lab	Checked by	Approved by	Date	Date 2012-09-01
			Bed Assembly	Edition
			18 / 26	Sheet



PART 101-03-03

Designed by Jiisuki Audio Lab	Checked by	Approved by	Date	Date 2012-09-01
			Bed Assembly	Edition
			Sheet 19 / 26	

PART 101-07-01



Designed by Jiisuki Audio Lab	Checked by	Approved by	Date	Date 2012-09-01
		Bed Assembly		
			Edition	Sheet 20 / 26

PRODUCED BY AN AUTODESK EDUCATIONAL PRODUCT

PRODUCED BY AN AUTODESK EDUCATIONAL PRODUCT

20,00

60,00

67,33

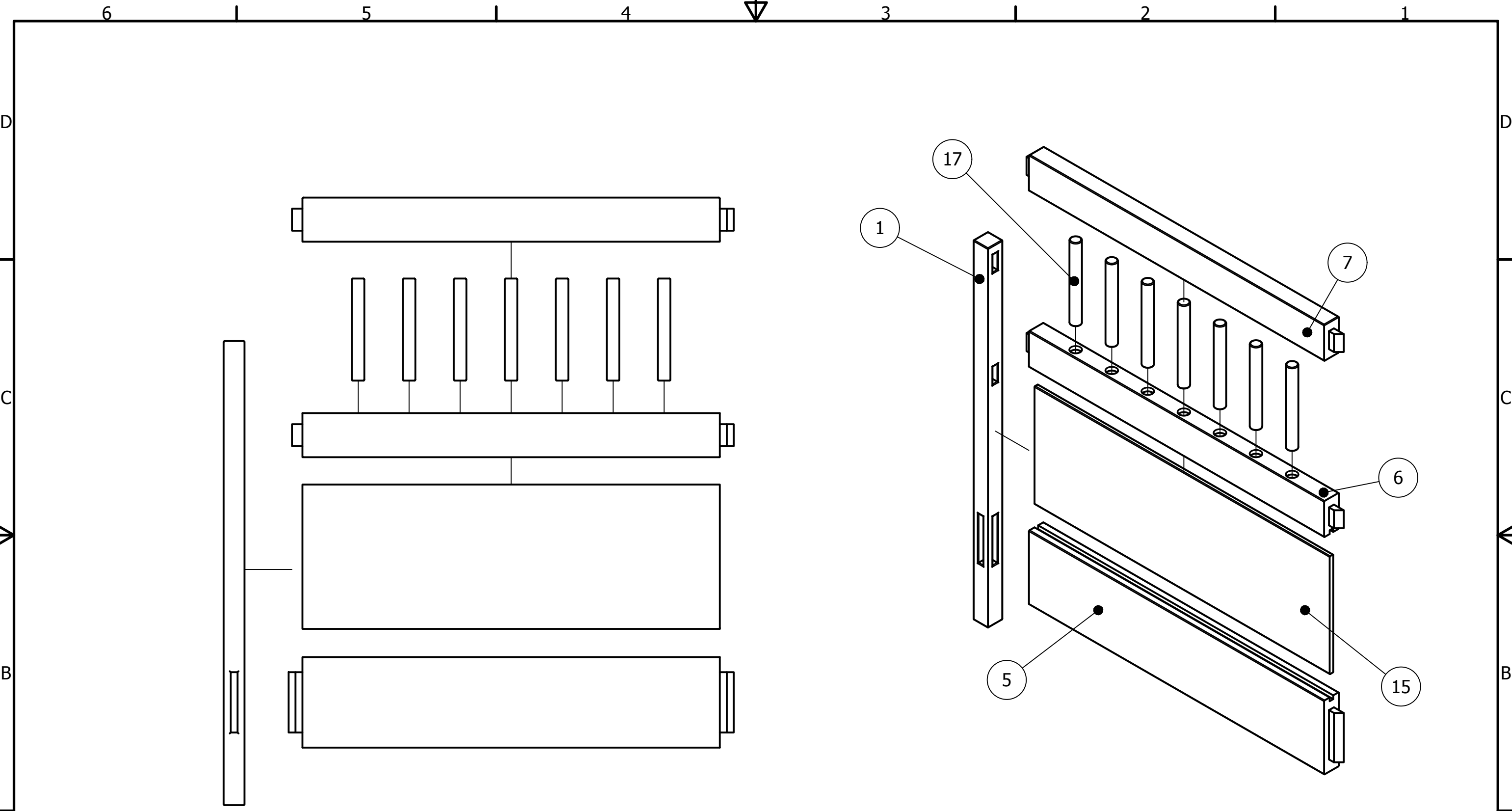
1970,00

PART 120-25-01

Designed by Jiisuki Audio Lab	Checked by	Approved by	Date	Date 2012-09-01
			Bed Assembly	Edition 21 / 26

PRODUCED BY AN AUTODESK EDUCATIONAL PRODUCT

PRODUCED BY AN AUTODESK EDUCATIONAL PRODUCT

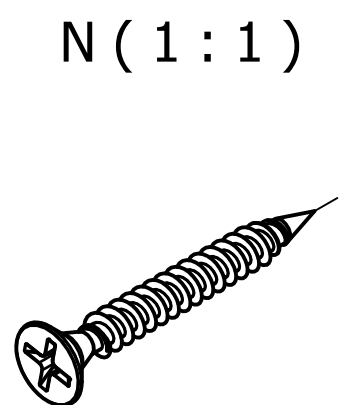
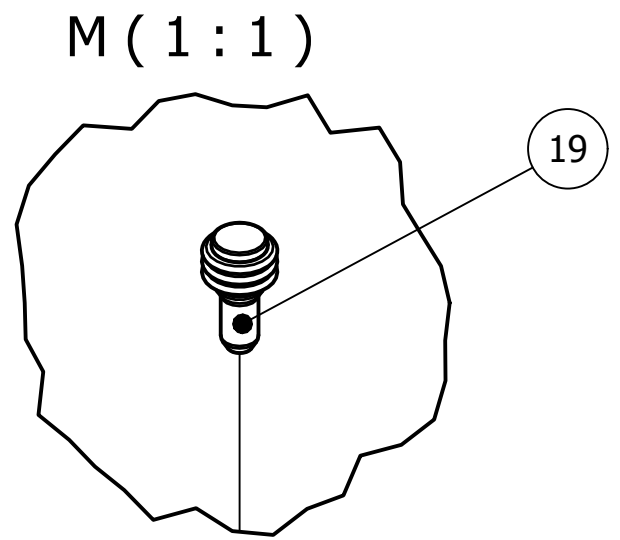
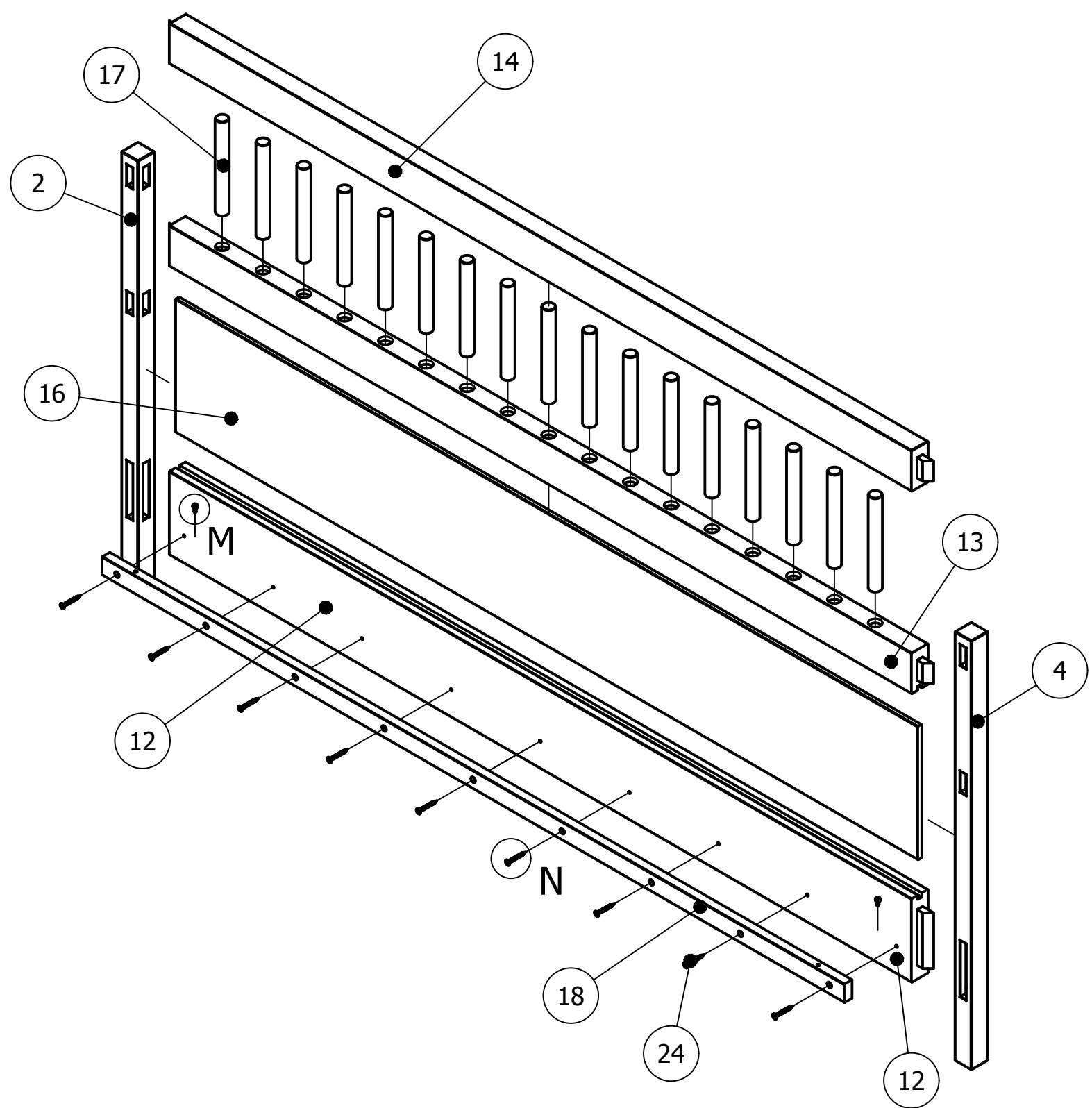
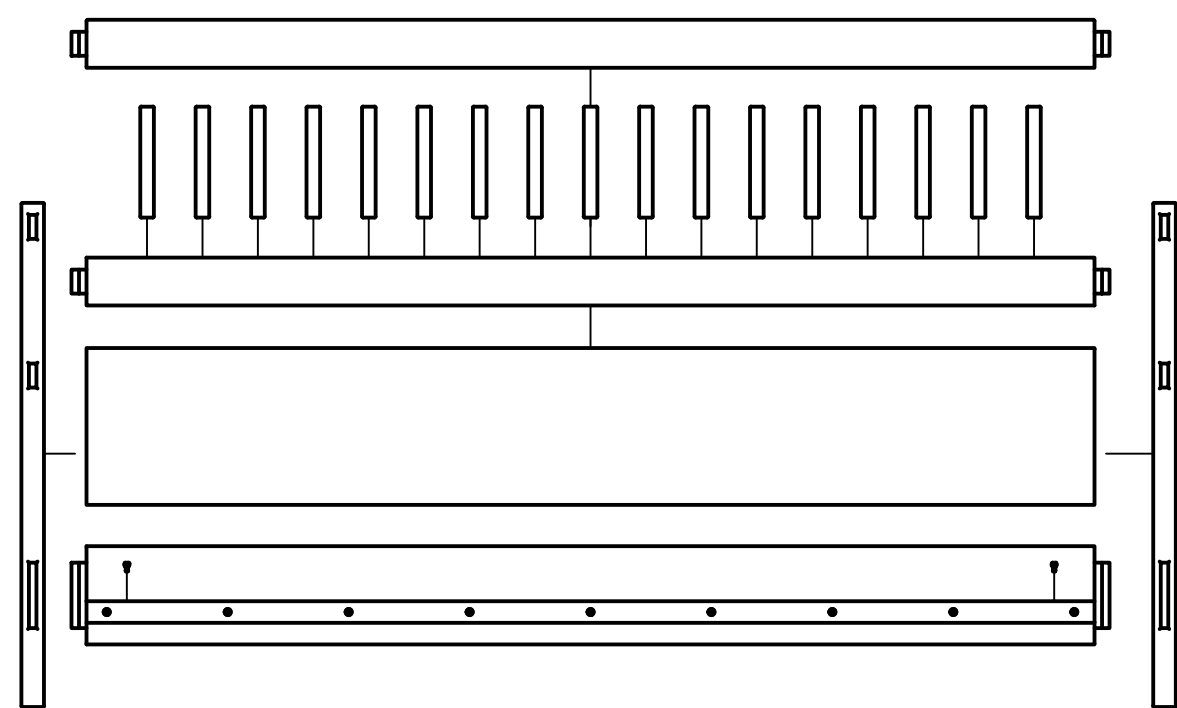


Left side assembly
 Use glue when needed
 Only the front leg is mounted at this point

Designed by Jiisuki Audio Lab	Checked by	Approved by	Date	Date 2012-09-01
			Bed Assembly	Edition Sheet 22 / 26

PRODUCED BY AN AUTODESK EDUCATIONAL PRODUCT

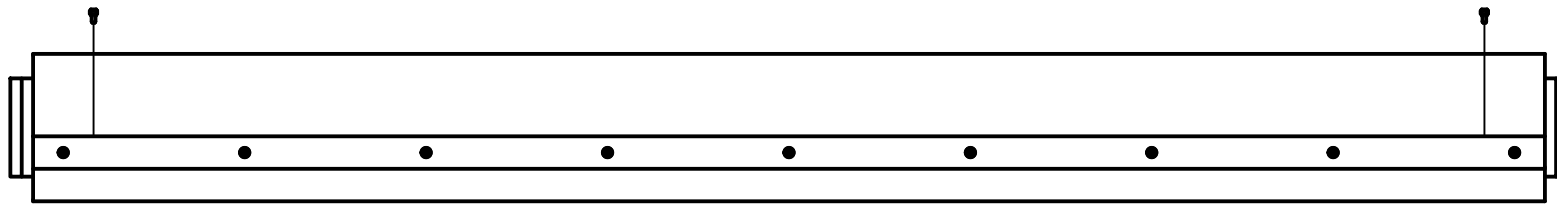
PRODUCED BY AN AUTODESK EDUCATIONAL PRODUCT



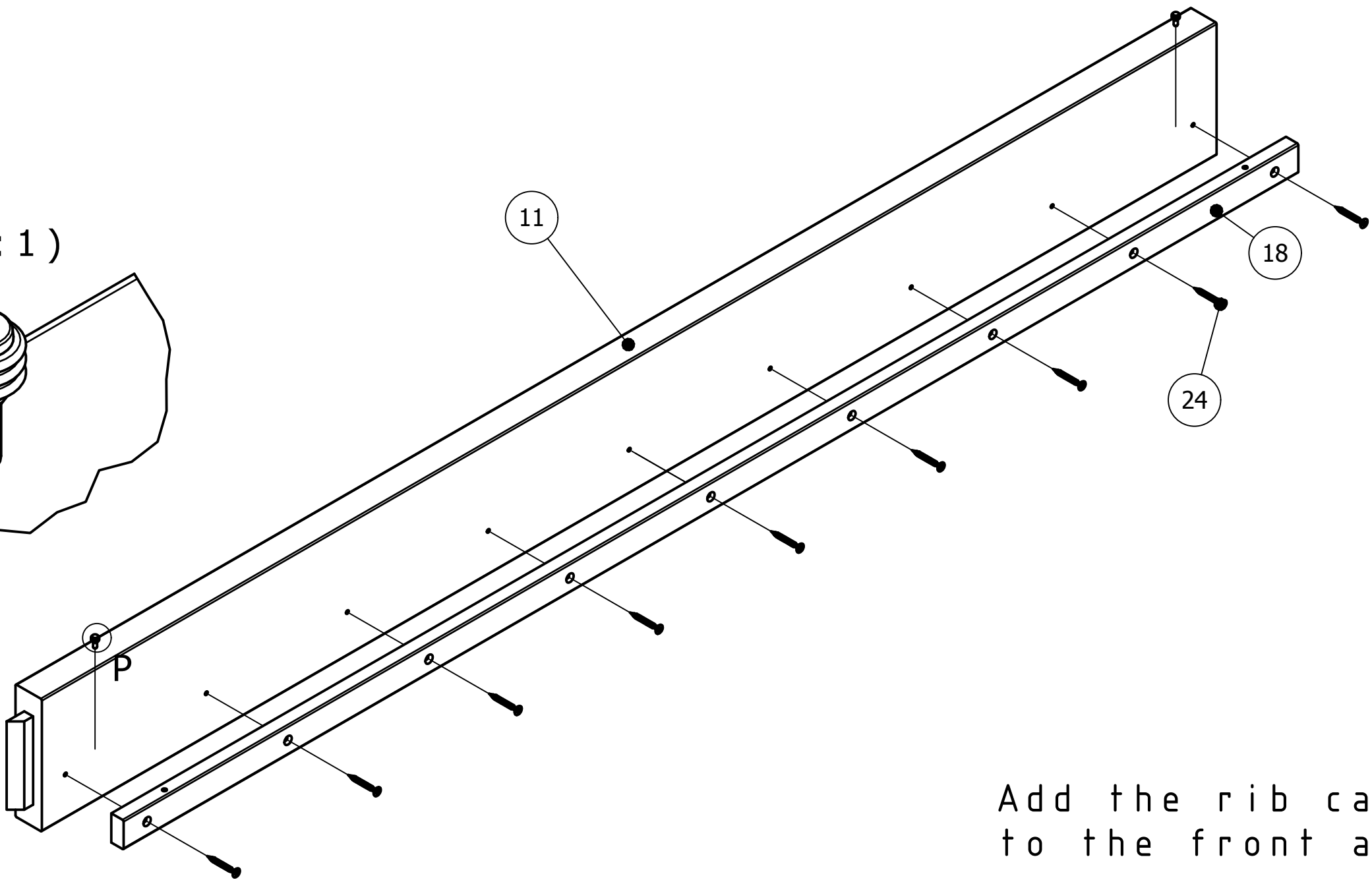
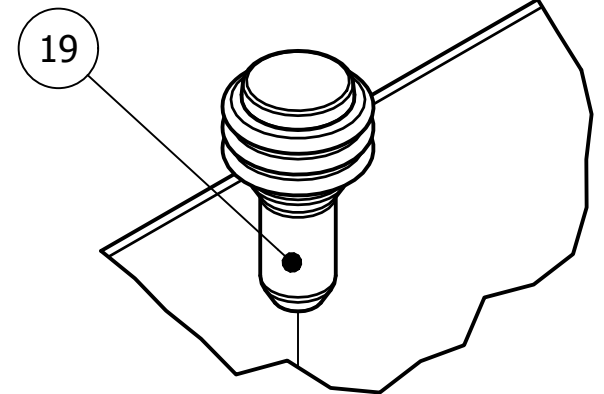
Back side assembly
Use glue when needed

Designed by Jiisuki Audio Lab	Checked by	Approved by	Date	Date 2012-09-01
			Bed Assembly	Edition Sheet 23 / 26

6 1 5 1 4 3 1 2 1 1



P (2 : 1)



Add the rib carrier bar to the front apron

Designed by Jiisuki Audio Lab	Checked by	Approved by	Date	Date 2012-09-01	
			Edition		Sheet 24 / 26
			Bed Assembly		

6 1 5 1 4 3 1 2 1 1

PRODUCED BY AN AUTODESK EDUCATIONAL PRODUCT

PRODUCED BY AN AUTODESK EDUCATIONAL PRODUCT

D

D

C

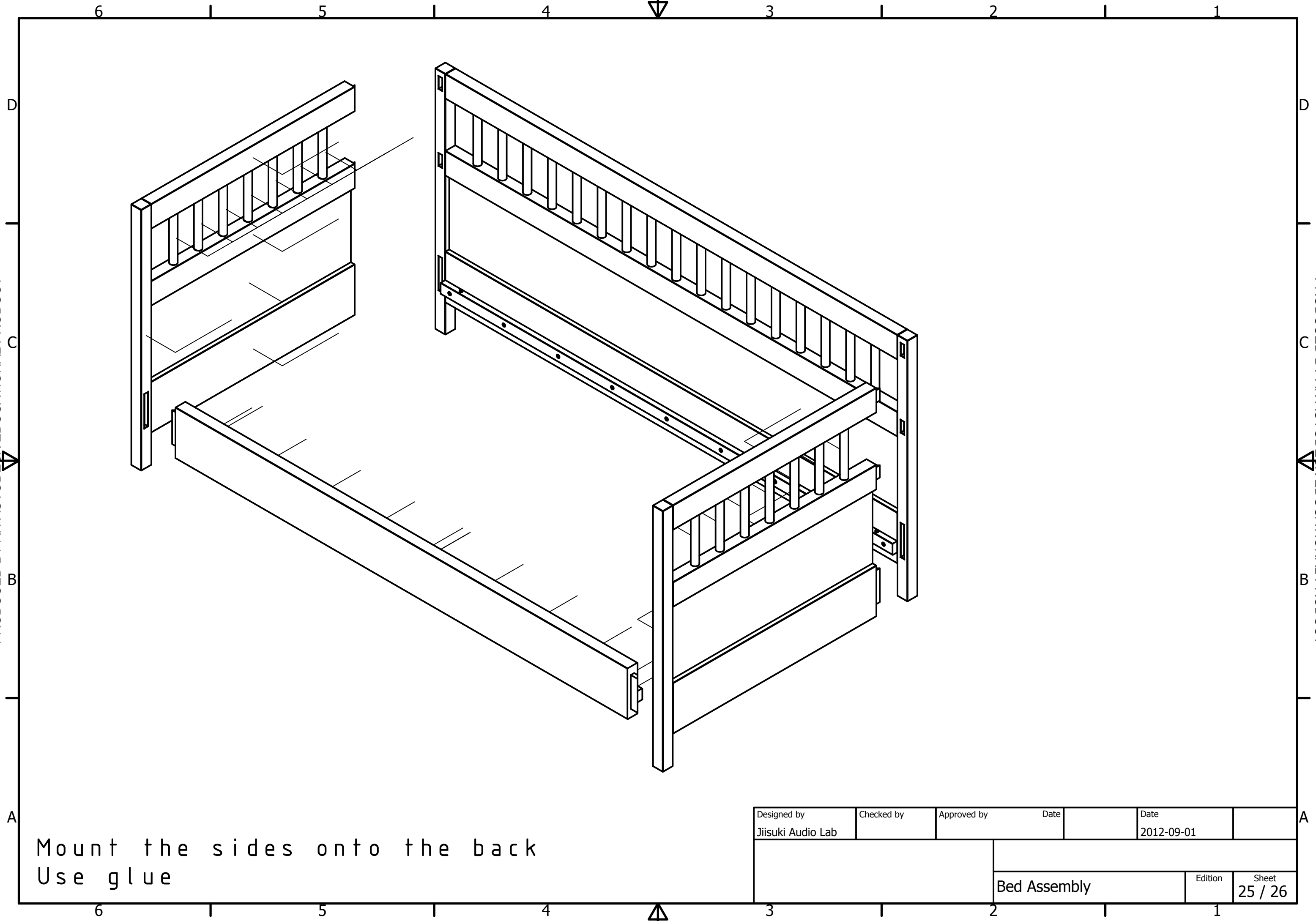
C

B

B

A

A

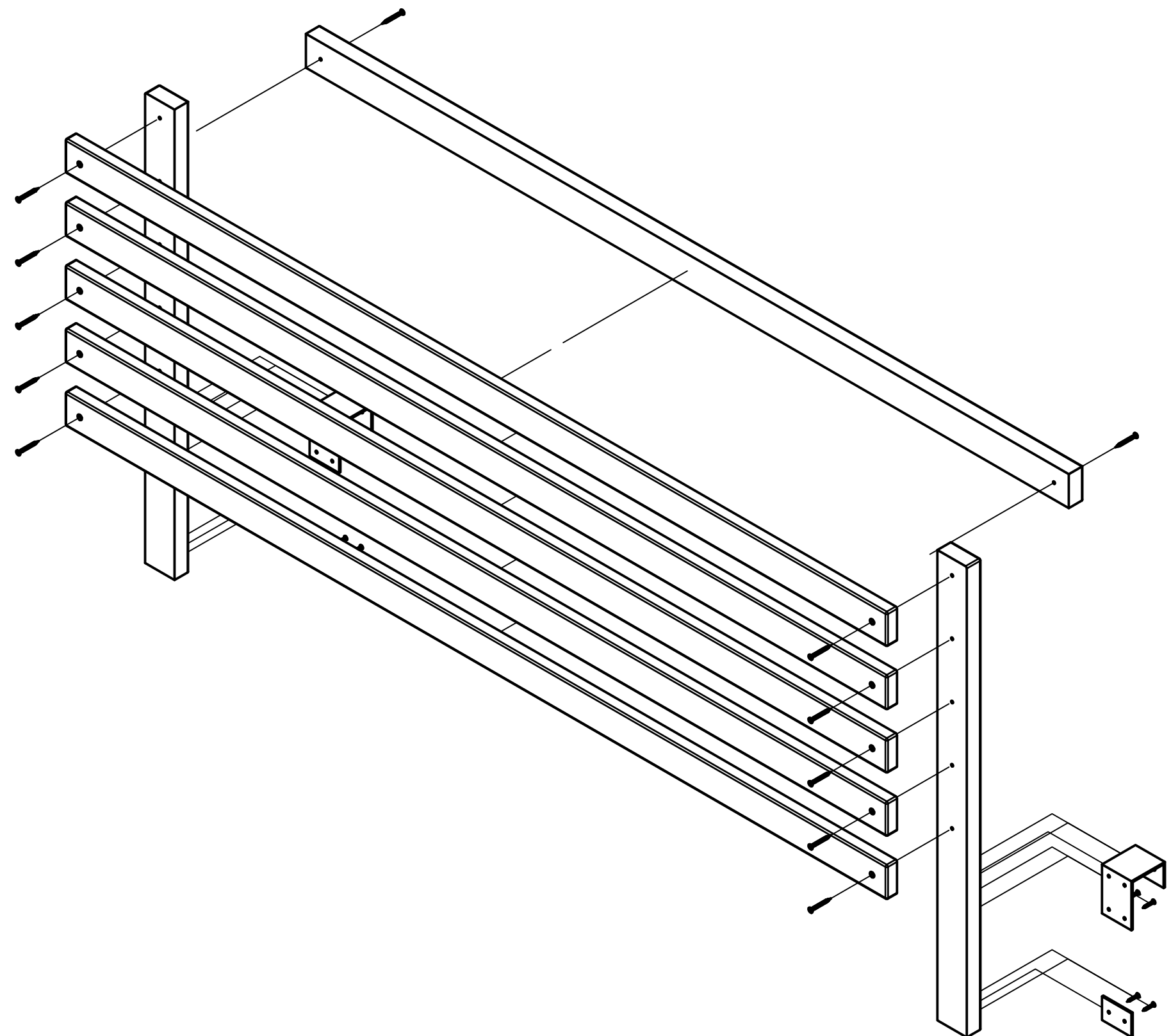


Mount the sides onto the back
Use glue

Designed by Jiisuki Audio Lab	Checked by	Approved by	Date	Date 2012-09-01
			Bed Assembly	Edition 25 / 26

PRODUCED BY AN AUTODESK EDUCATIONAL PRODUCT

PRODUCED BY AN AUTODESK EDUCATIONAL PRODUCT



D
C
B
A

D
C
B
A

Safeguard assembly
 Refer to the safeguard documentation

Designed by Jiisuki Audio Lab	Checked by	Approved by	Date	Date 2012-09-01
			Bed Assembly	Edition Sheet 26 / 26